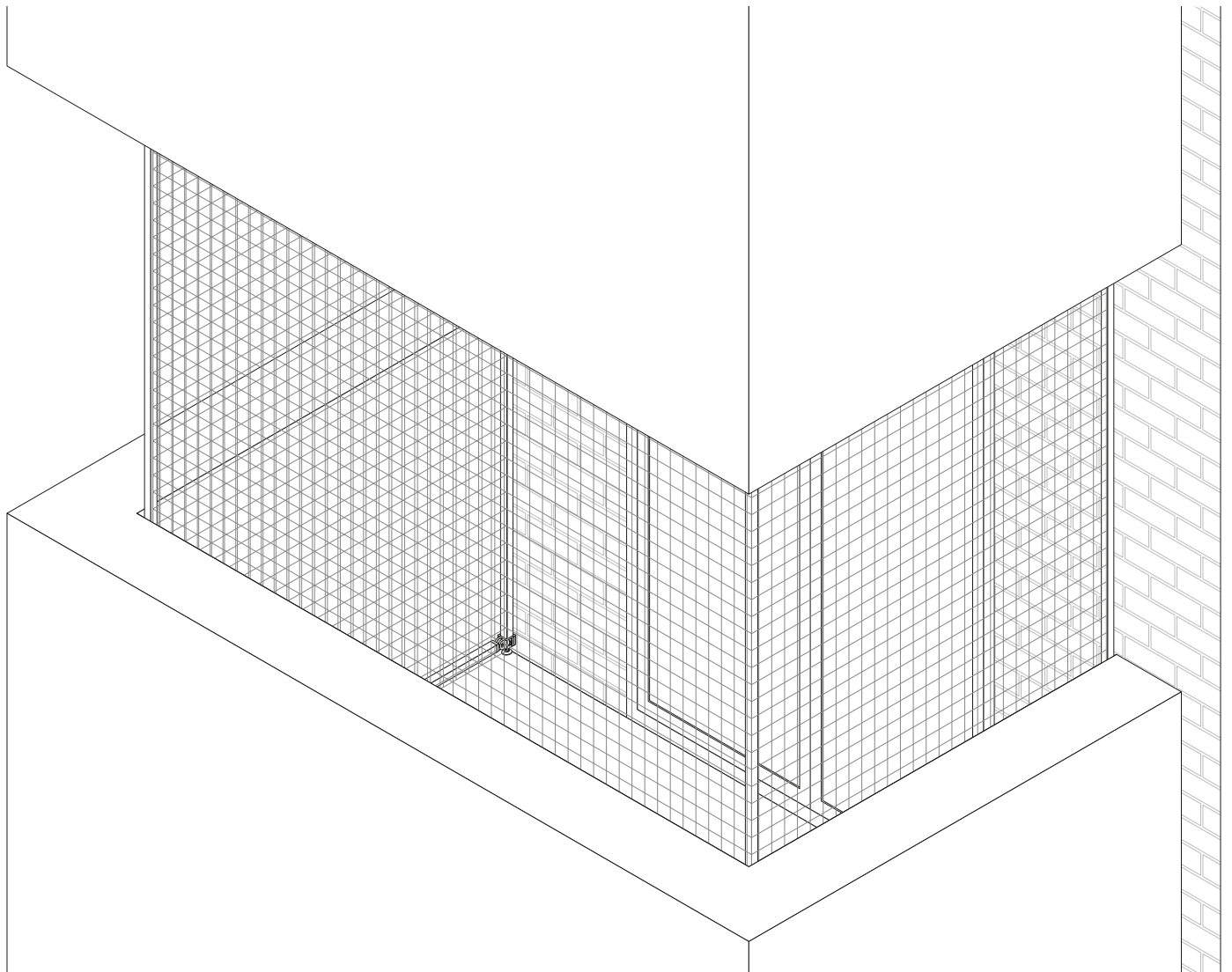
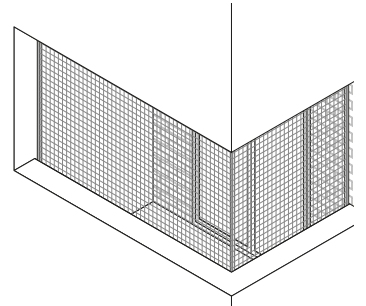
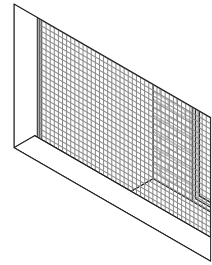


# BALCO001 BALCO002 BALCO003



# Important Safety Information

This is not a fall arrest system.  
Working on a balcony can be dangerous.  
You must read and follow the guidelines below and do your own risk assessment.

Scan the QR code to watch instructional video



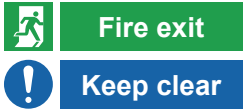
- 1.** 2 people required to fit the balcony enclosure



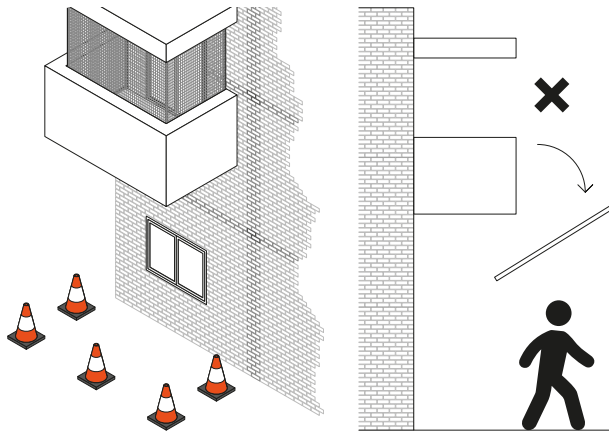
- 2.** DIY competency required



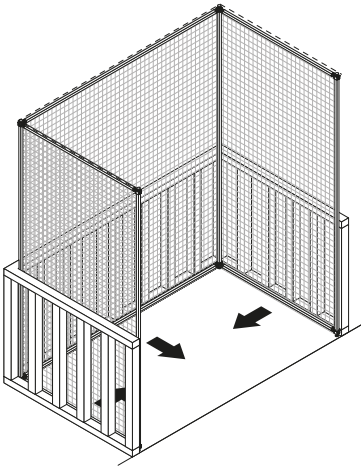
- 3.** Do not obstruct fire exits



- 4.** Ensure that the area beneath the balcony is clear of pedestrians and do not drop anything from the balcony during installation



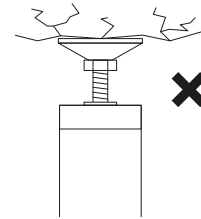
- 5.** Only install on the inside of the balustrade and do not remove the balustrade



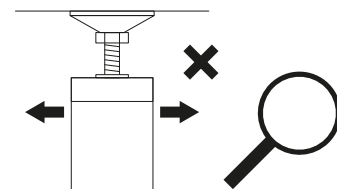
- 6.** If using a step ladder, ensure it is in good condition, keep the step ladder between you and the work area, do not stretch or lean away from the step ladder, maintain 3 points of contact with the step ladder and have another person to assist and hold the ladder for additional stability



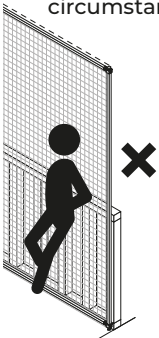
- 7.** Do not fit the frame to damaged, weak, uneven or loose surfaces



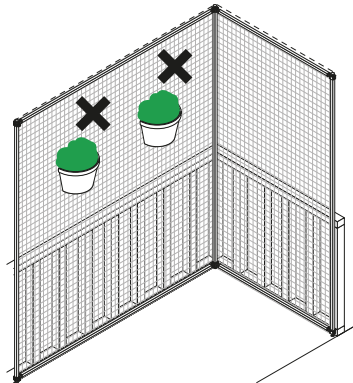
- 8.** Ensure the frame is free from movement when installed and check on a monthly basis



- 9.** Do not lean on or climb frame under any circumstances



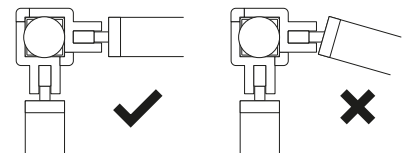
- 10.** Do not attach anything to the netting or frame



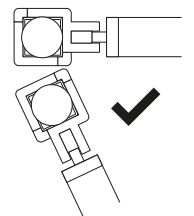
- 11.** Do not leave children unattended

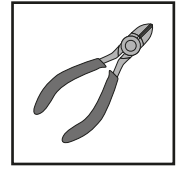
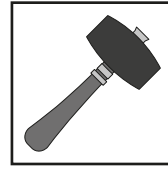
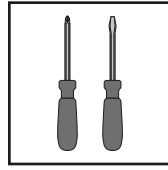
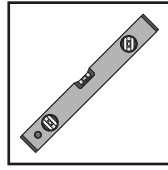
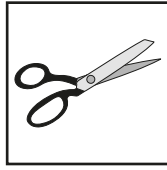
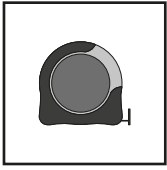
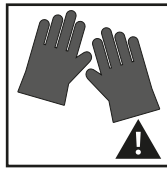


- 12.** Corners must be 90° to use a 2-way brace mount

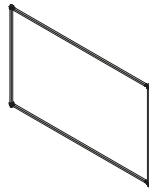
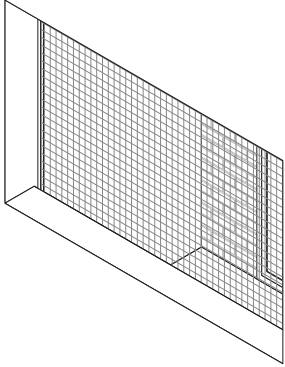


If angle is not 90°, 2 separate upright posts are required

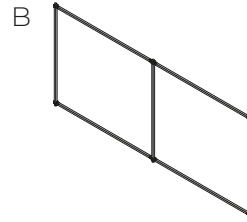
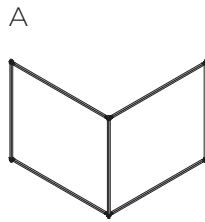
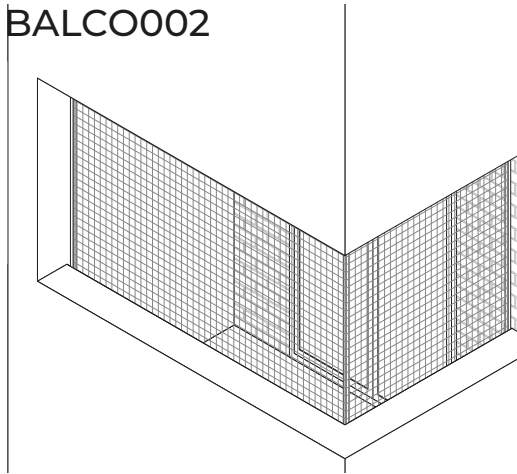




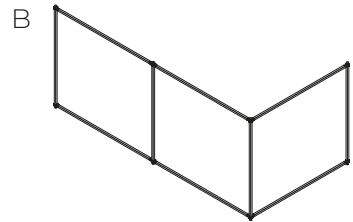
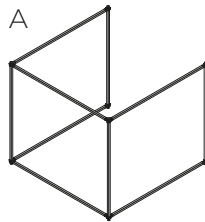
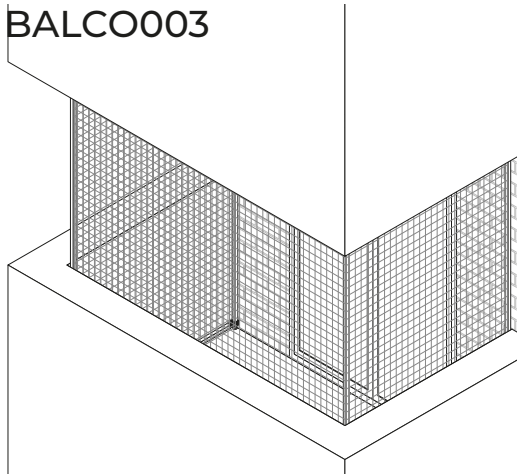
### BALCO001

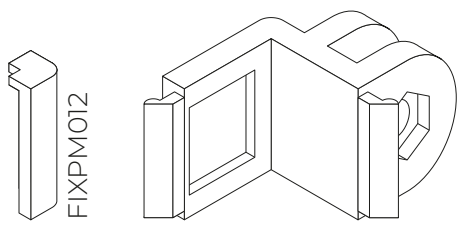


### BALCO002

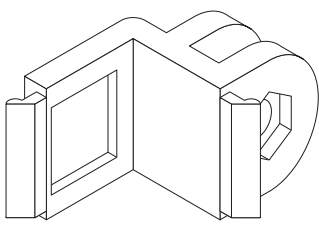


### BALCO003

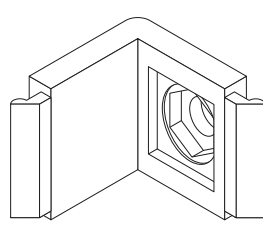




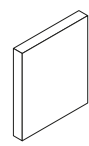
FIXPM012



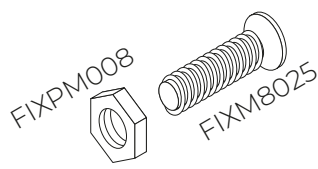
FIXPM011



FIXPM014

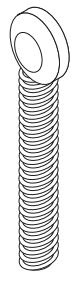


FIXPM013

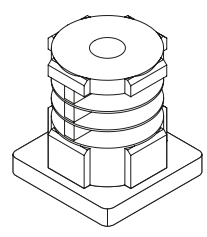


FIXPM008

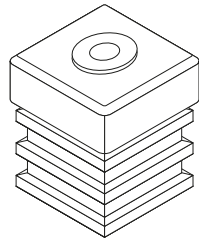
FIXM8025



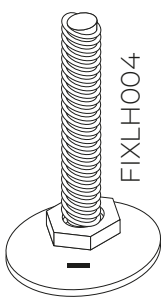
FIXPM007



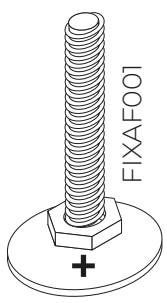
FIXLH005



FIXPM006



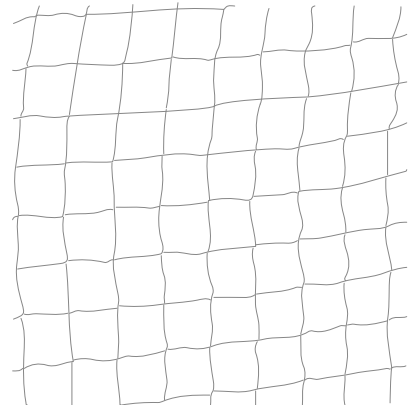
FIXLH004



FIXAF001



FIXCT102



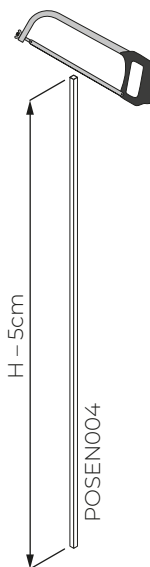
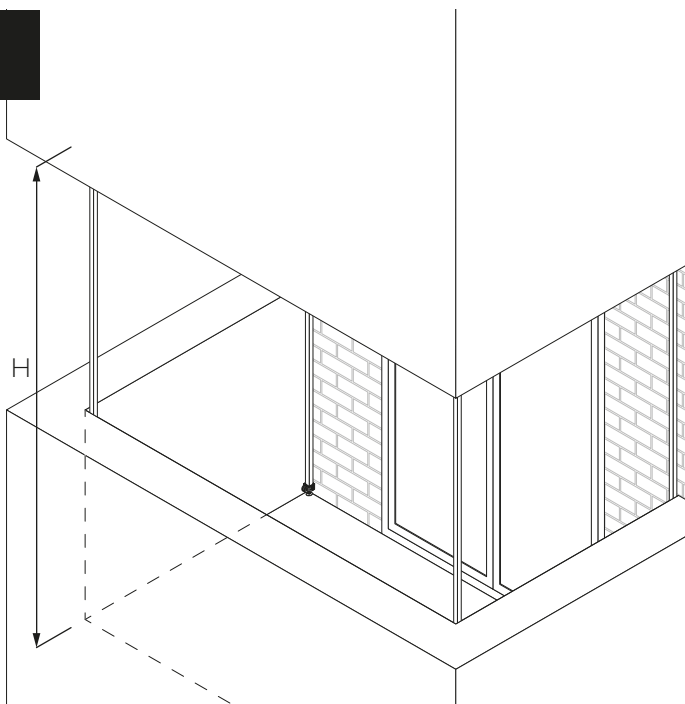
NETS2525  
NETS5025  
NETS7525



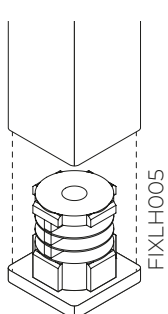
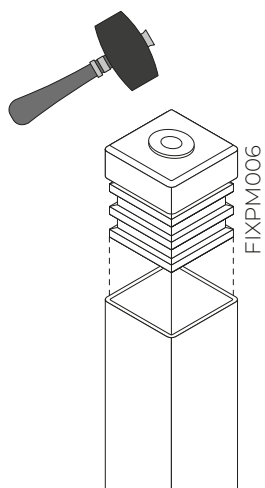
POSEN004



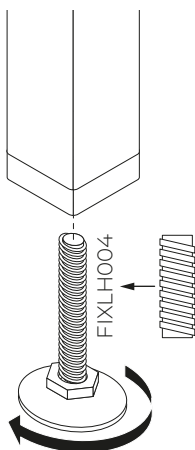
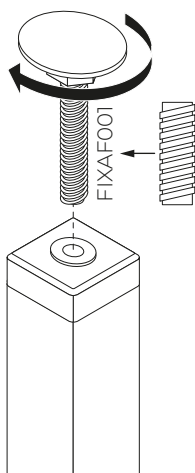
1.



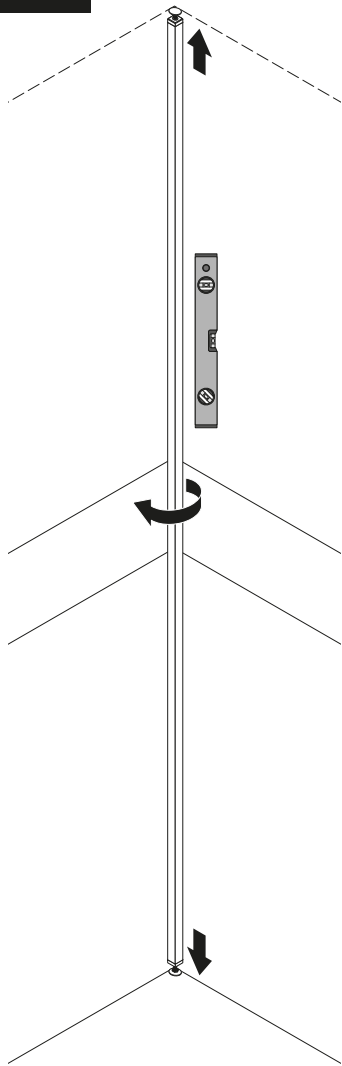
2.



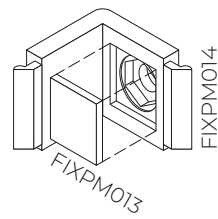
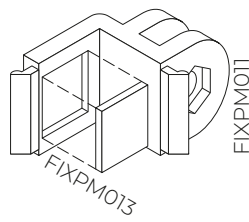
3.



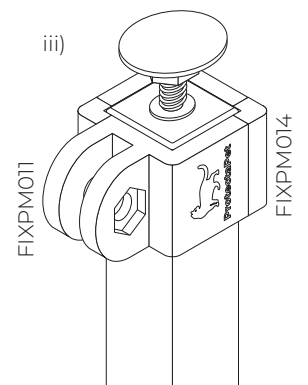
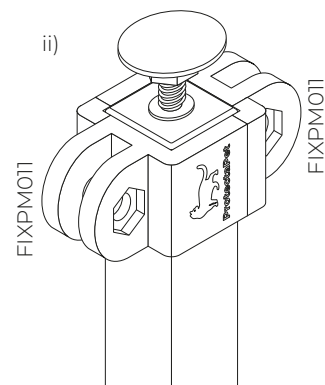
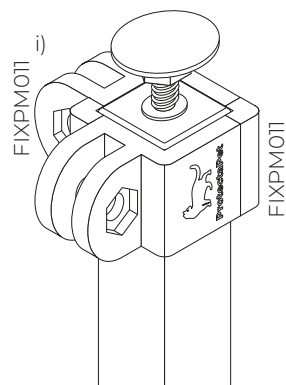
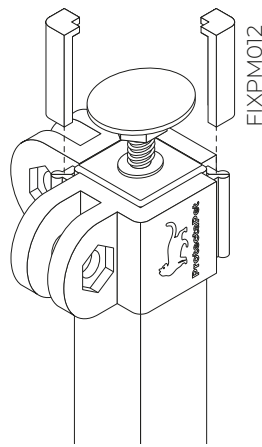
4.



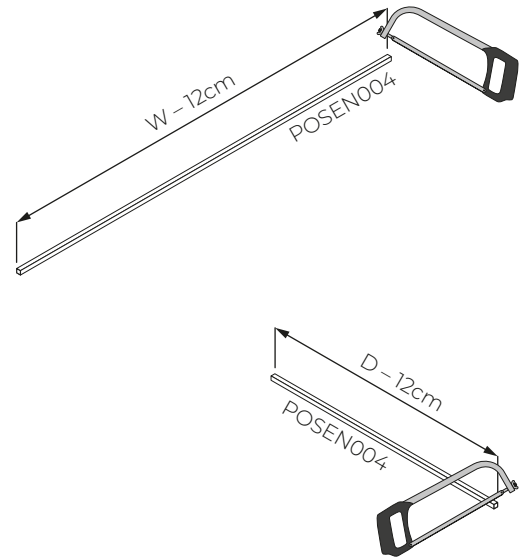
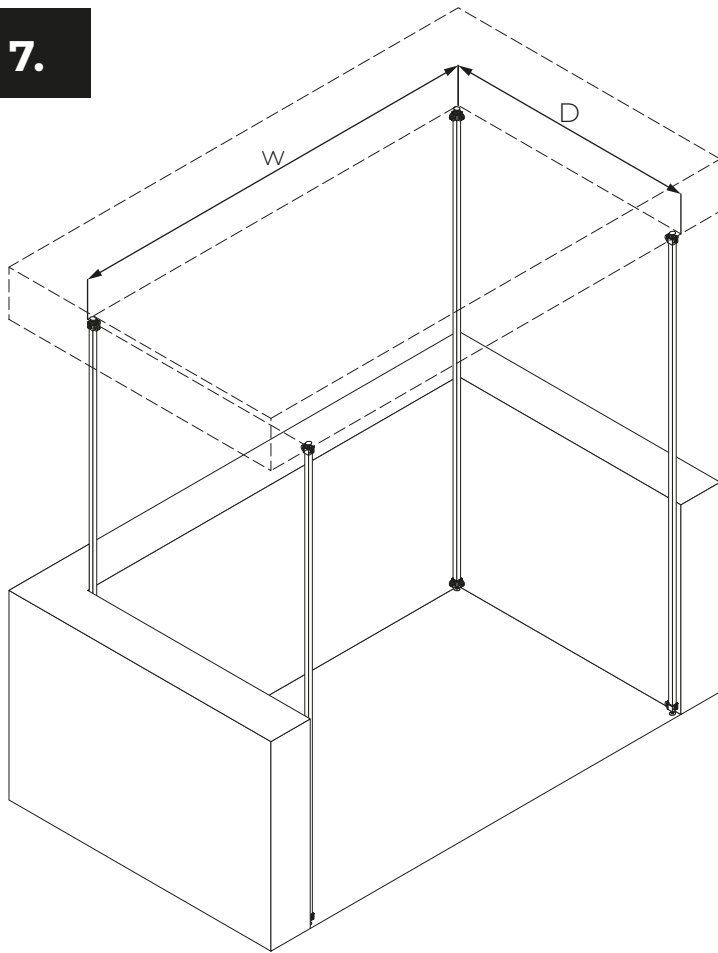
5.



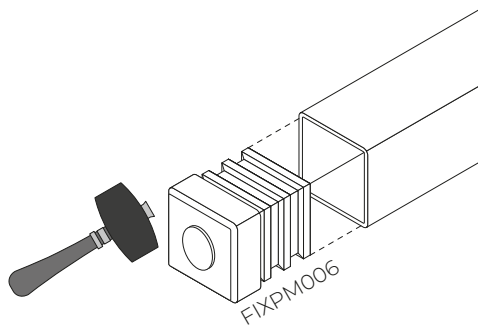
6.



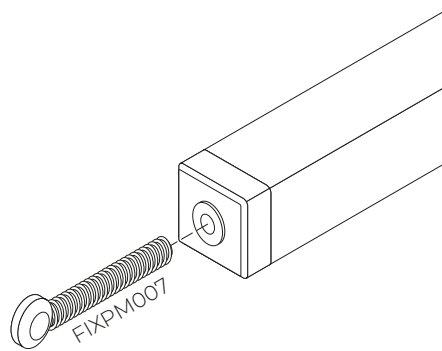
7.



8.

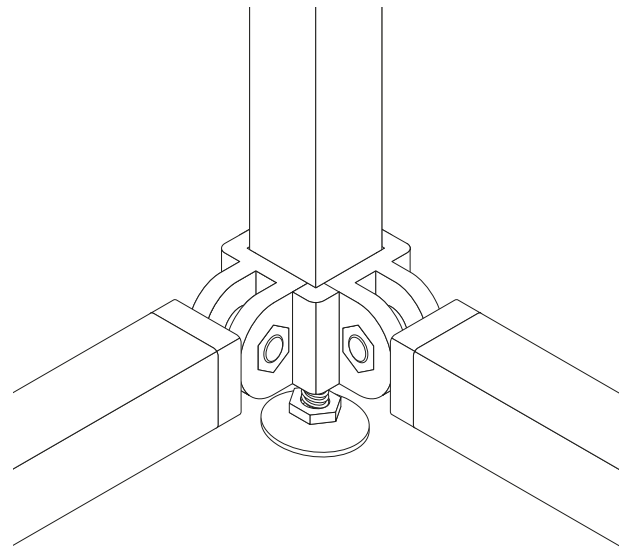
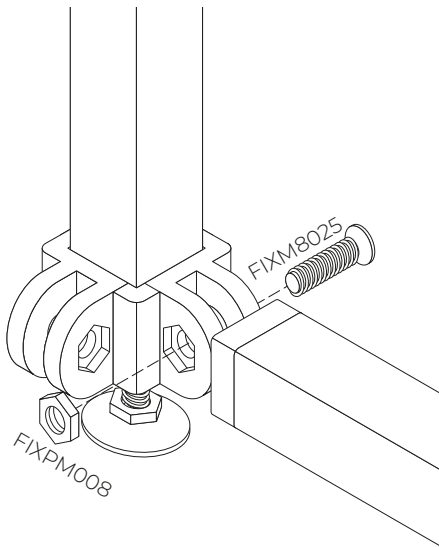


9.

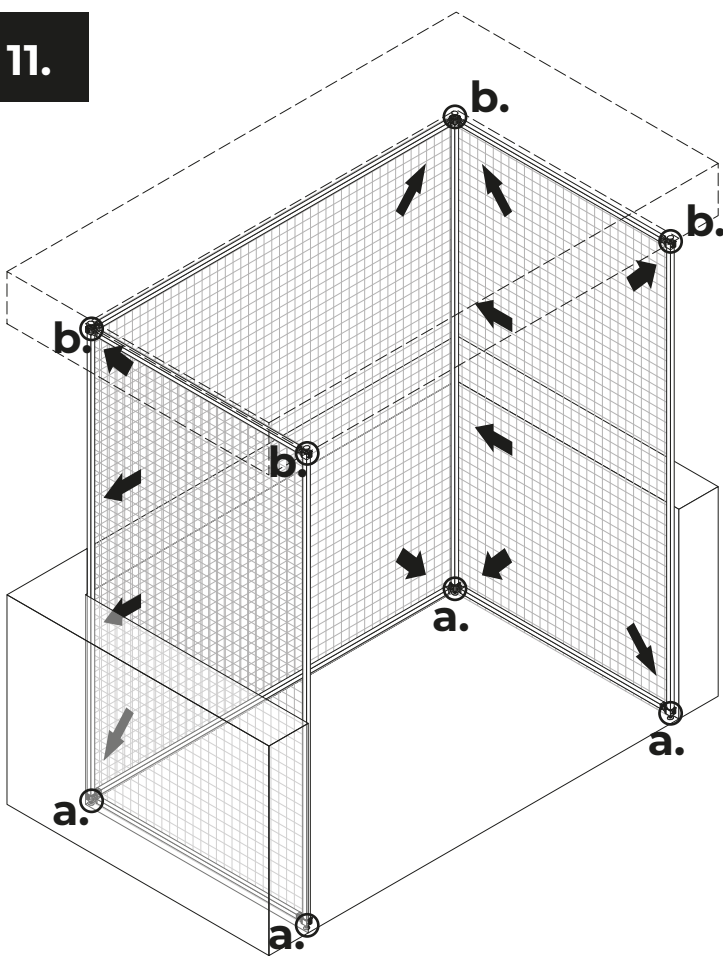




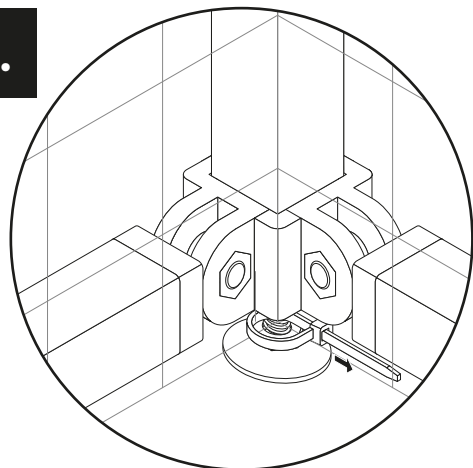
10.



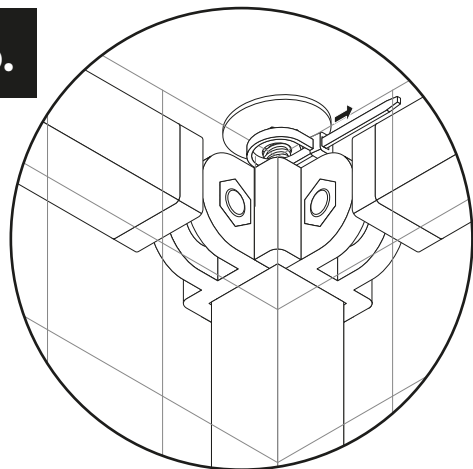
11.



a.

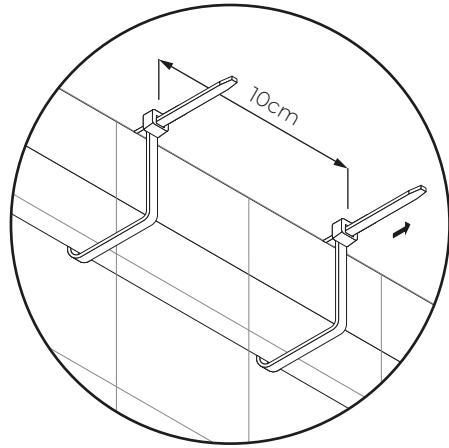
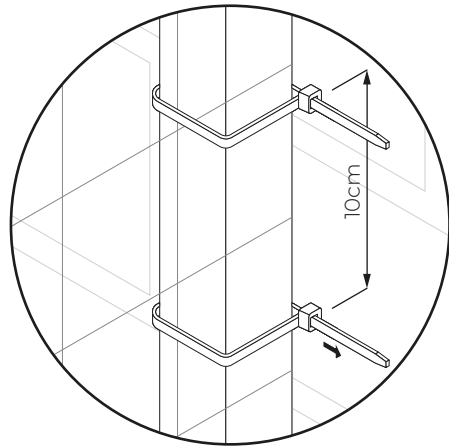
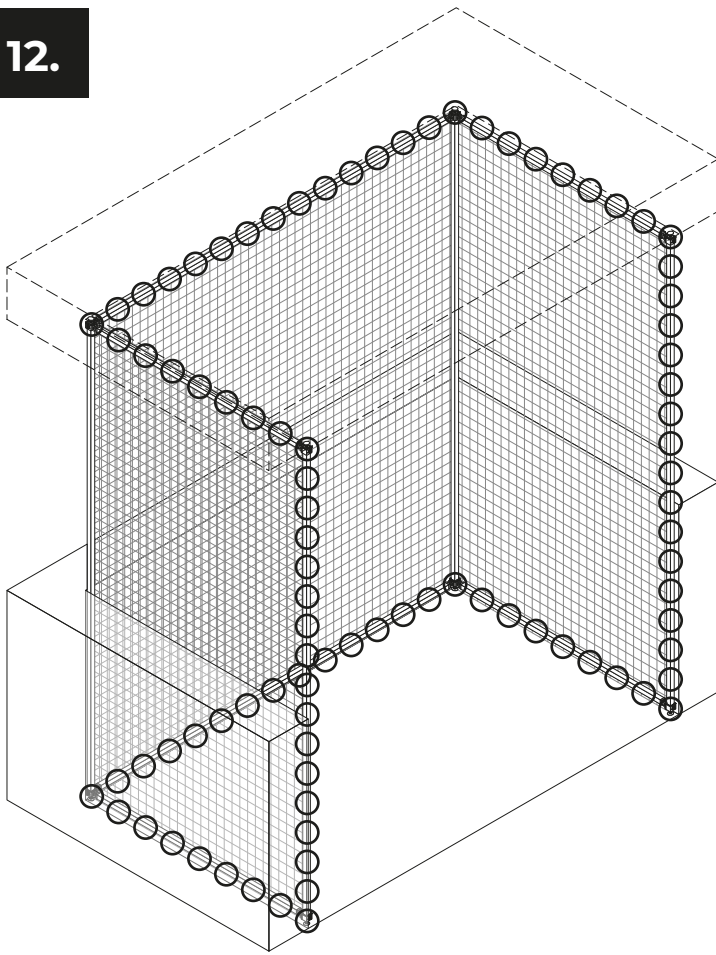


b.

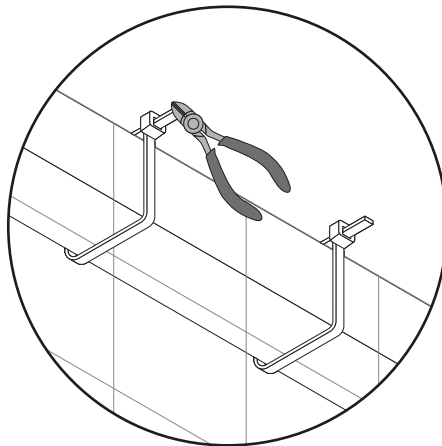
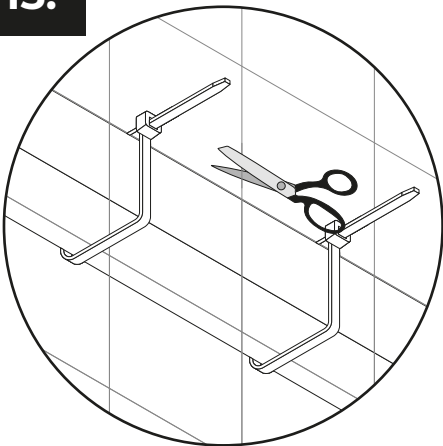




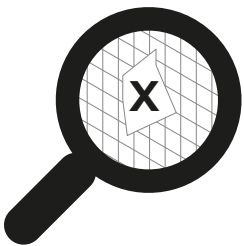
12.



13.



14.



**ProtectaPet**<sup>®</sup>  
HABINATURAL SPACES FOR PETS

www.protectapet.com T: **0800 999 4008**

info@protectapet.com

