

CREATING SAFE OUTDOOR SPACES FOR PETS

The Enclosure System

INSTALLATION INSTRUCTIONS



HABINATURAL SPACES FOR PETS

The Enclosure System

INSTALLATION INSTRUCTIONS

Safety:

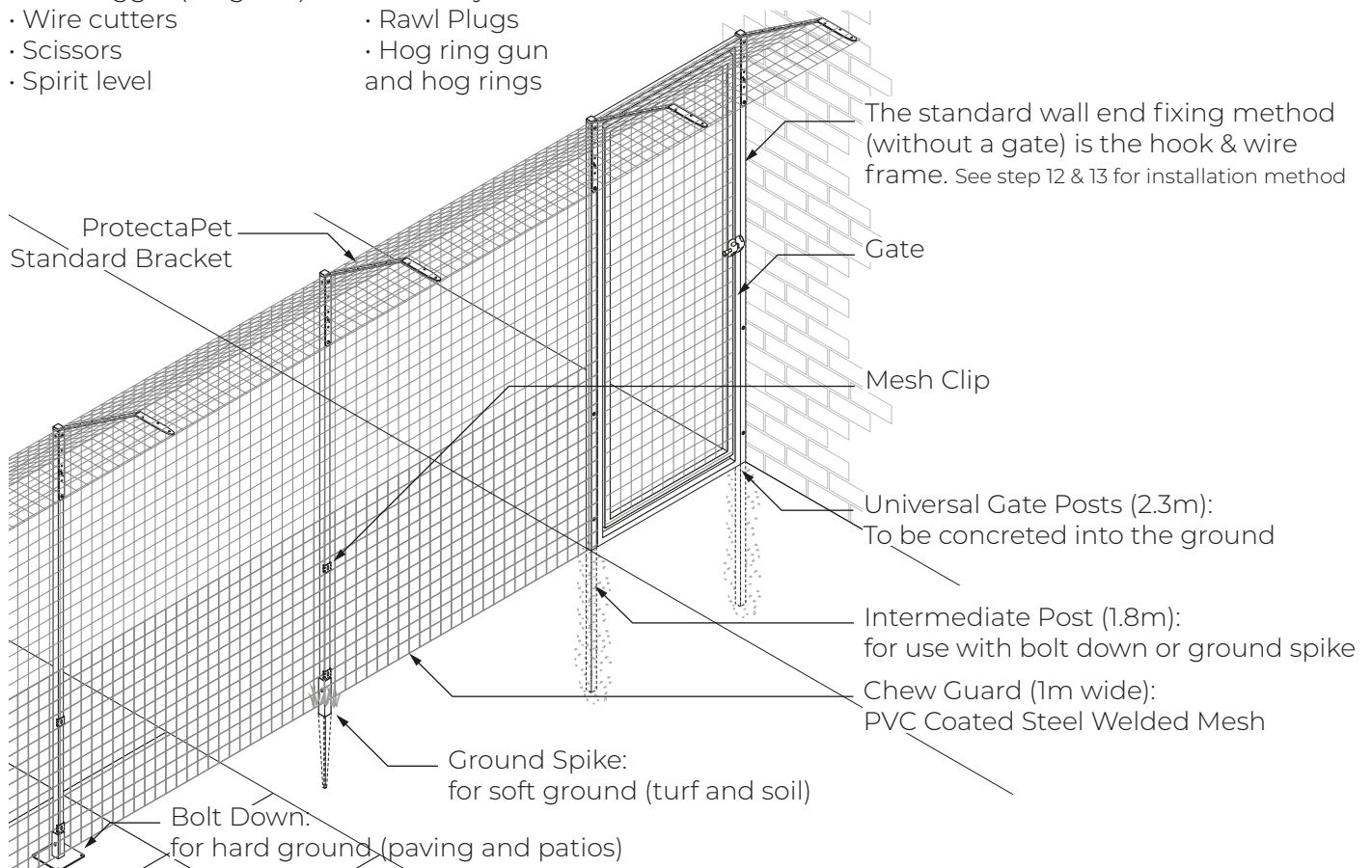


EYE AND EAR PROTECTION SHOULD BE WORN AT ALL TIMES

15m Kit Contents:	30m Kit Contents:	Gate kit contents:
<ul style="list-style-type: none"> • 6 Brackets • 6 Ground spikes • 6 Enclosure posts • 15m steel mesh roll • 16m of 2m wide Poly mesh roll • Netting pegs • Selection of fixture packs in various boxes 	<ul style="list-style-type: none"> • 11 Brackets • 11 Ground spikes • 11 Enclosure posts • 30m steel mesh roll • 31m of 2m wide Poly mesh roll • Netting pegs • Selection of fixture packs in various boxes 	<ul style="list-style-type: none"> • Inner gate frame • Outer frame • 2 stainless steel hinges • 1 magna latch • 2 x 2.3m Enclosure posts (1.8m if sold with bolt downs) • 2 x Brackets (optional) • 2 x Bolt down ground fixings (optional) • Selection of fixtures

Tools Required:

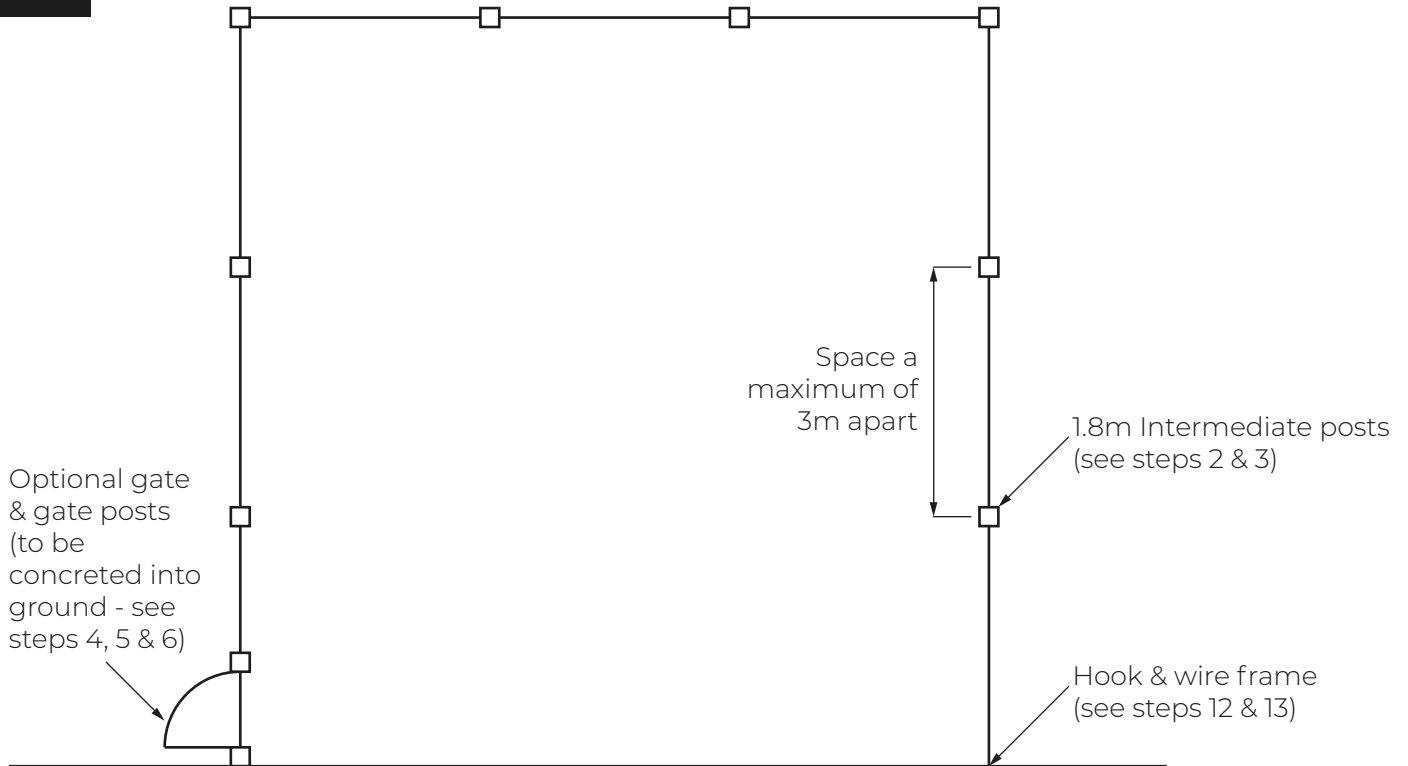
- Nylon hammer/mallet
- Hole digger (for gates)
- Wire cutters
- Scissors
- Spirit level
- Screwdriver
- Masonry drill
- Rawl Plugs
- Hog ring gun and hog rings



1.

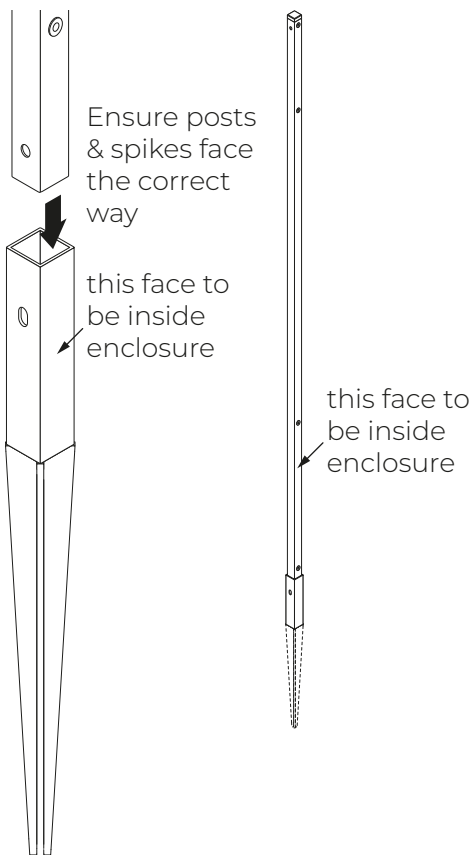
Plan out enclosure.

Use string and pegs to mark the area & post positions



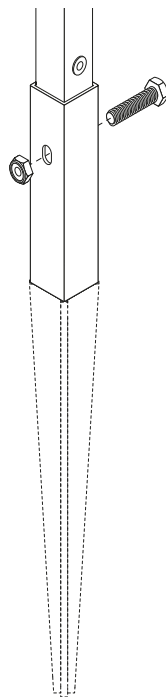
2a.

Assemble intermediate posts to ground spikes (or bolt-down fixing if required)



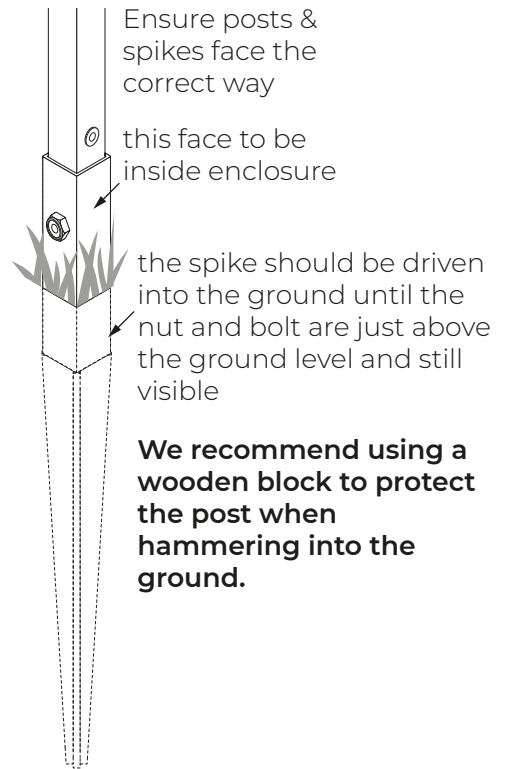
2b.

Bolt post to collar using nuts & bolts supplied



2c.

Using a nylon hammer or mallet, hammer the posts into the ground in the previously marked positions

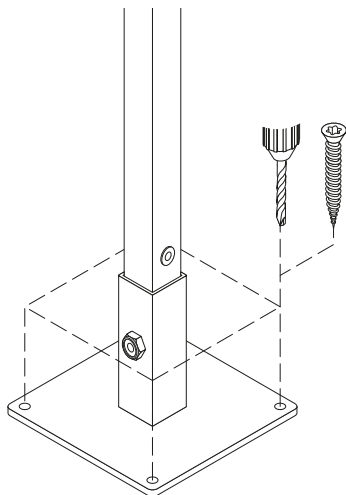


TIP: Ensure all posts are level. This will make fitting of the mesh easier at a later stage.



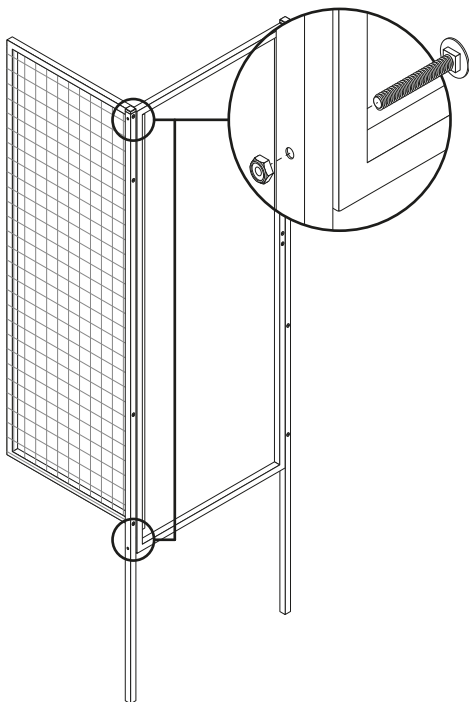
3.

Fix bolt-down posts to the ground using concrete screws



4.

Bolt posts to either side of the gate assembly using coach bolts & nuts supplied

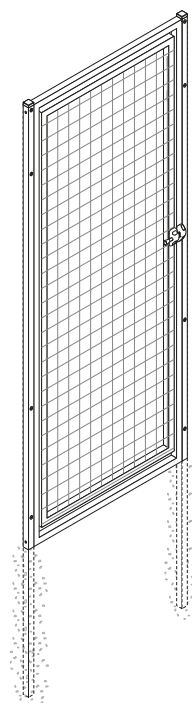


5a.

Using a hole digger, dig holes 600mm deep for concrete type posts

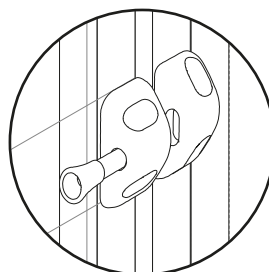
5b.

Set gate posts in post mix concrete and leave until set hard



6.

Attach magnetic latch to gate assembly (see instructions in latch pack)

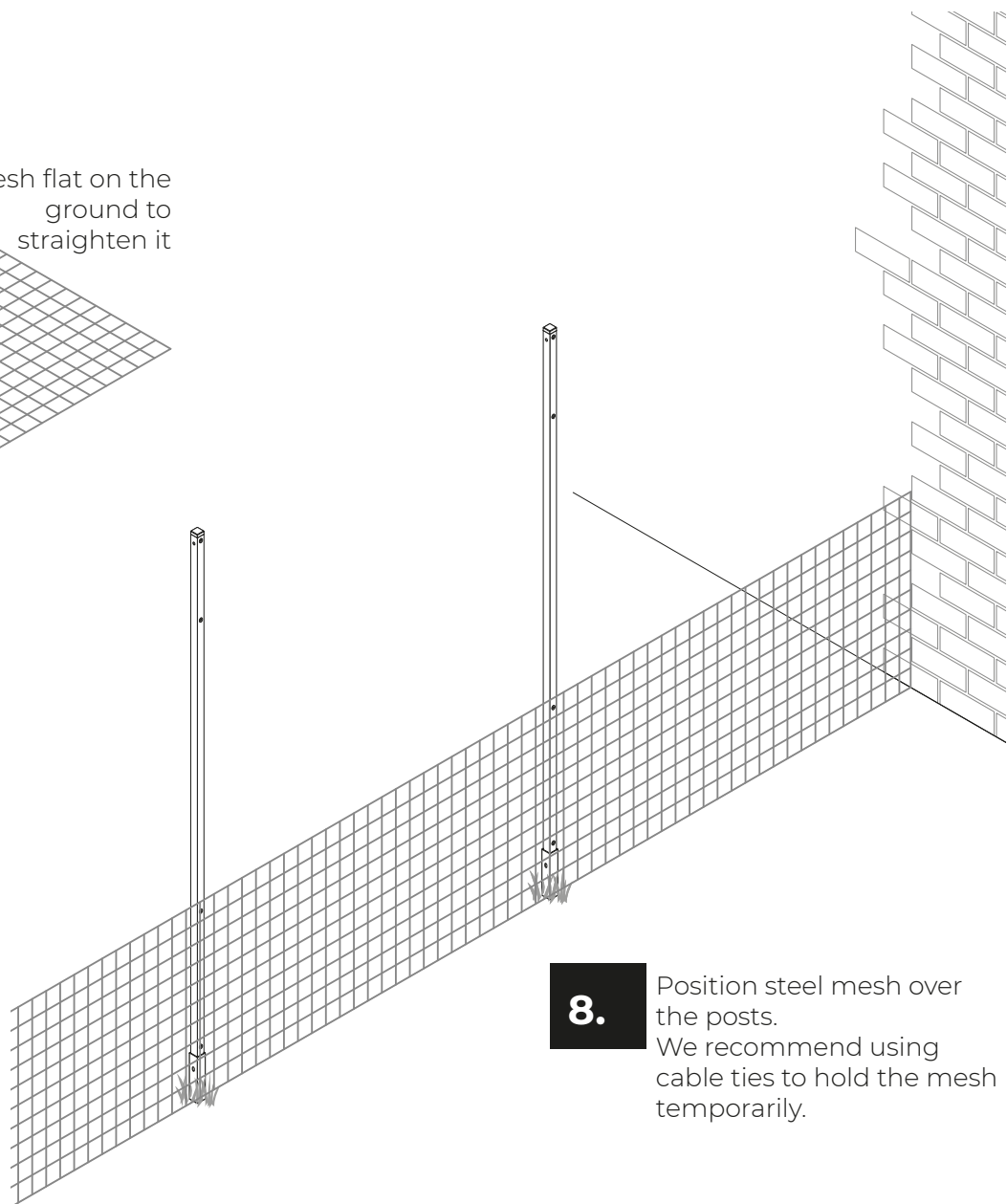
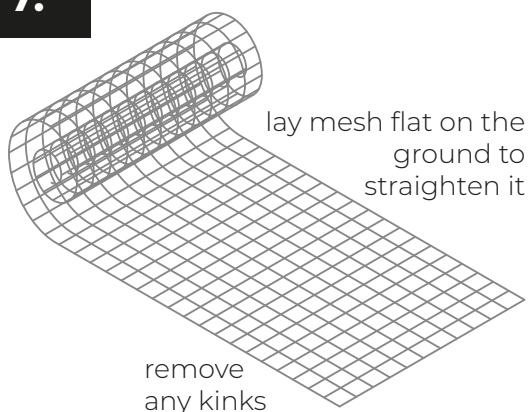


TIP: Ensure all posts are level. This will make fitting of the mesh easier at a later stage.



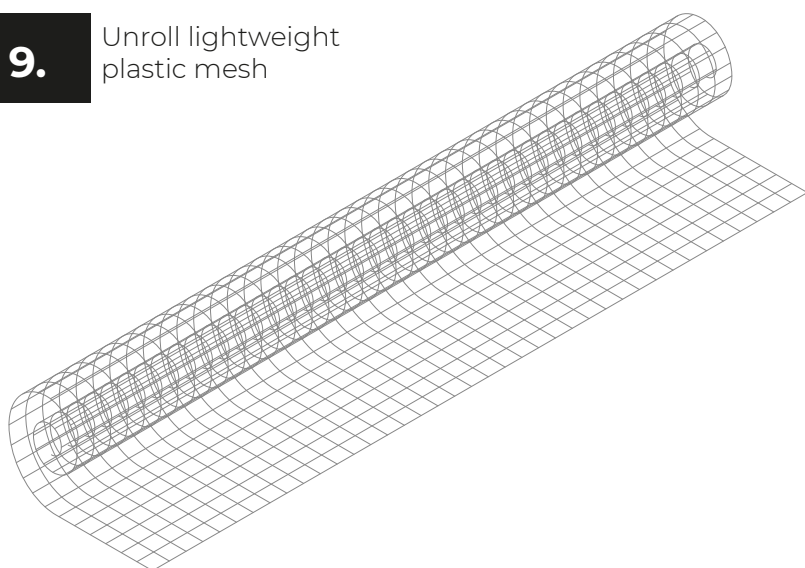
7.

Unroll steel mesh



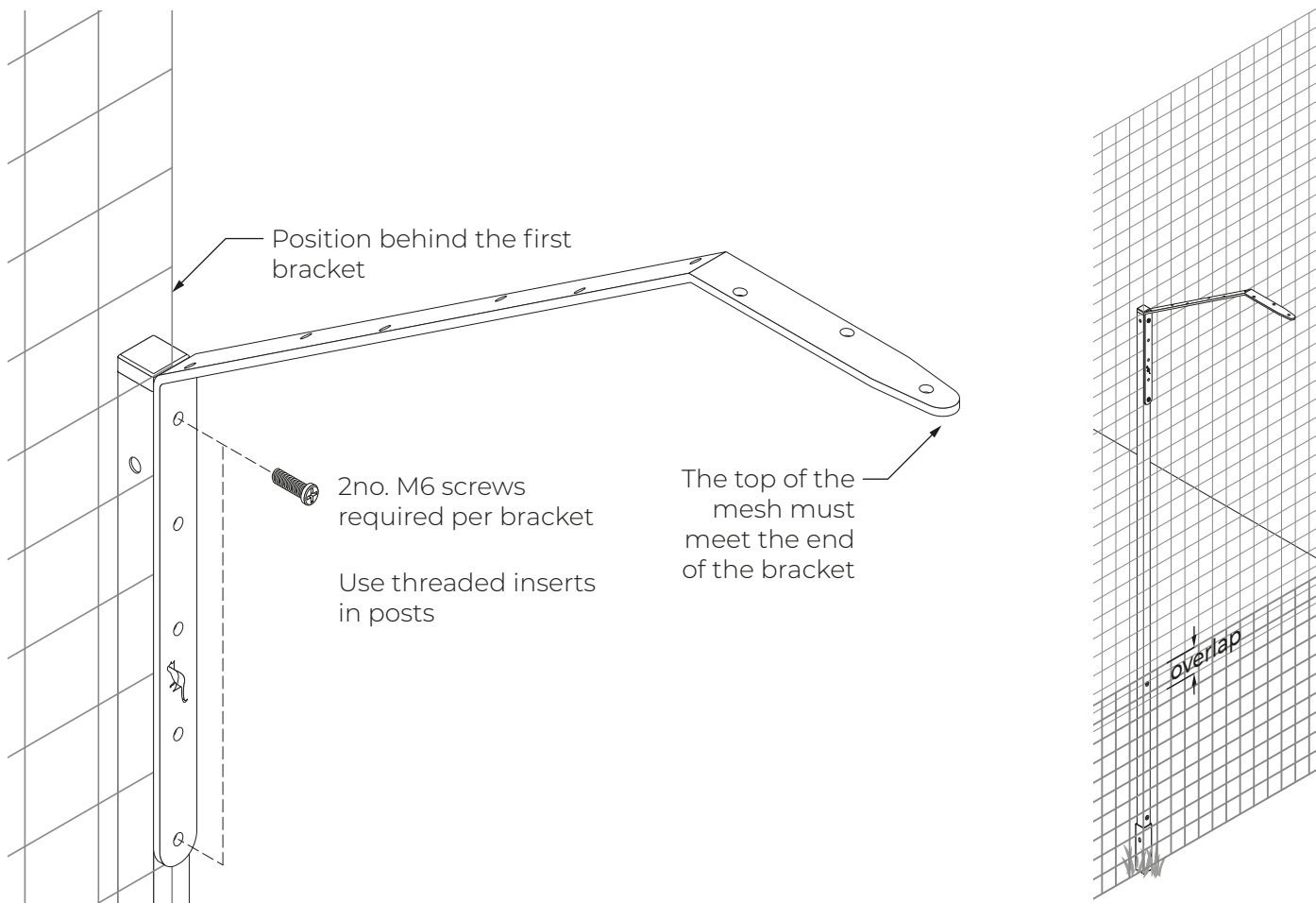
9.

Unroll lightweight plastic mesh



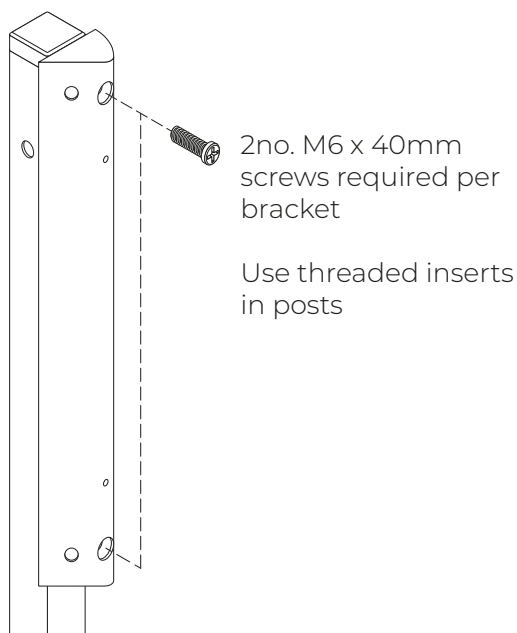
10a.

Attach a bracket to the top of the first post trapping the mesh between the bracket and the post. When stretched out the mesh should reach the tapered end of the bracket and overlap the steel mesh. See 10b and 10c below for corner variation.



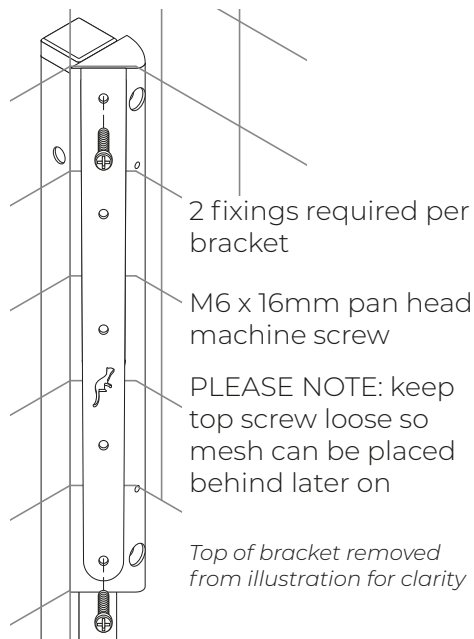
10b.

Corners: Fix corner adaptor before fixing brackets



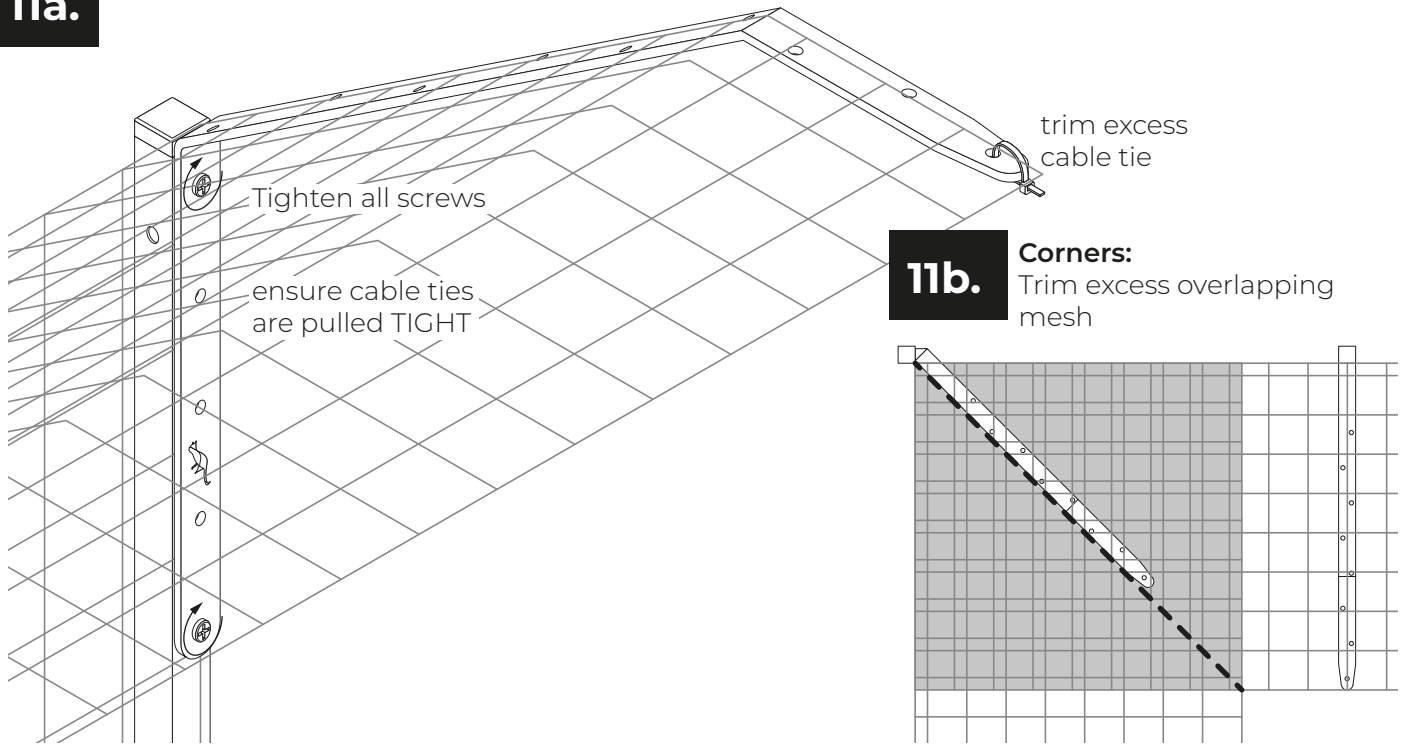
10c.

Corners: Fix bracket to corner adaptor trapping the mesh behind the bracket (see 10a above)



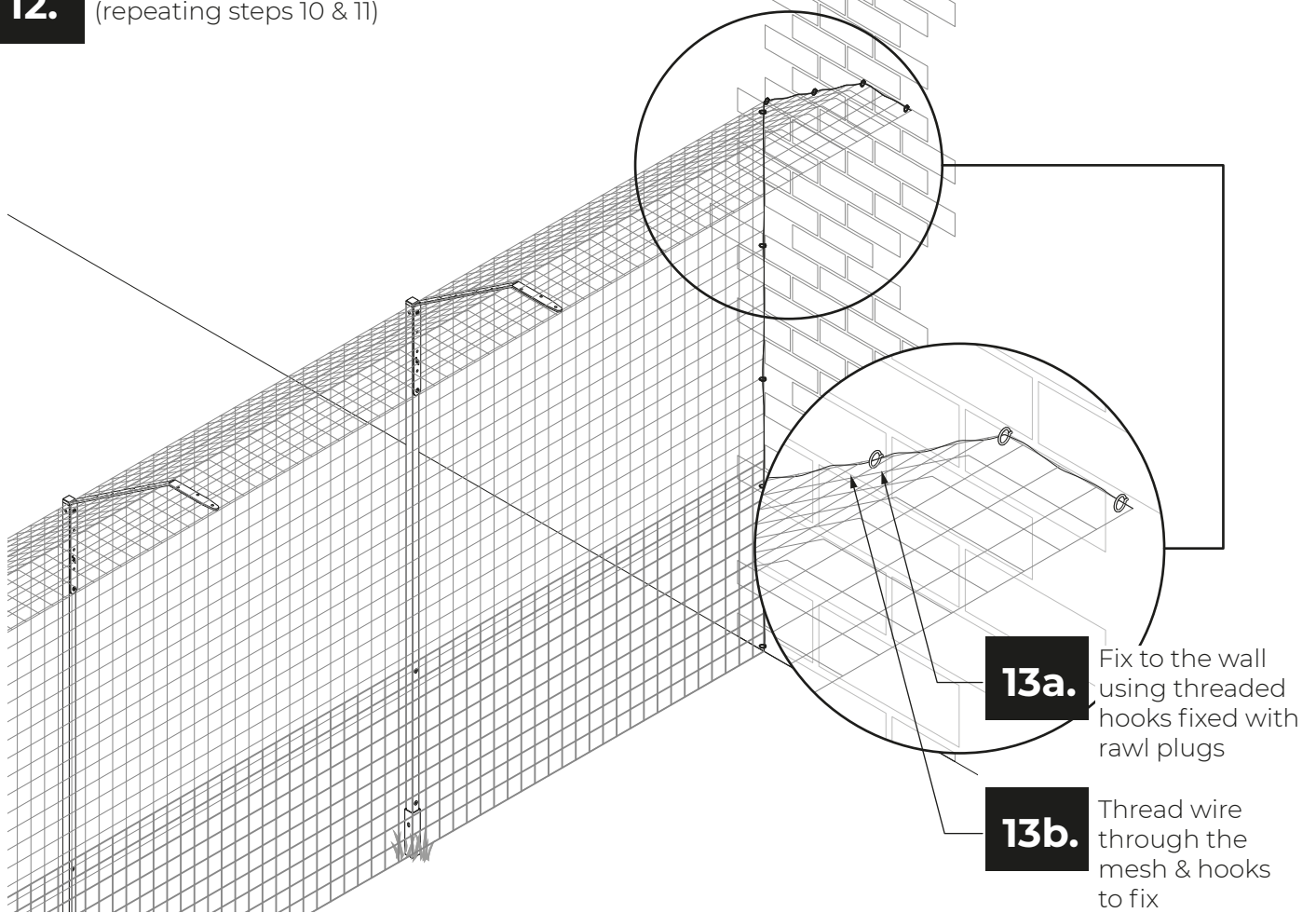
11a.

Use a cable tie to hold the end of the mesh to the first bracket



12.

Pull the mesh around the posts securing behind the brackets as you go (repeating steps 10 & 11)

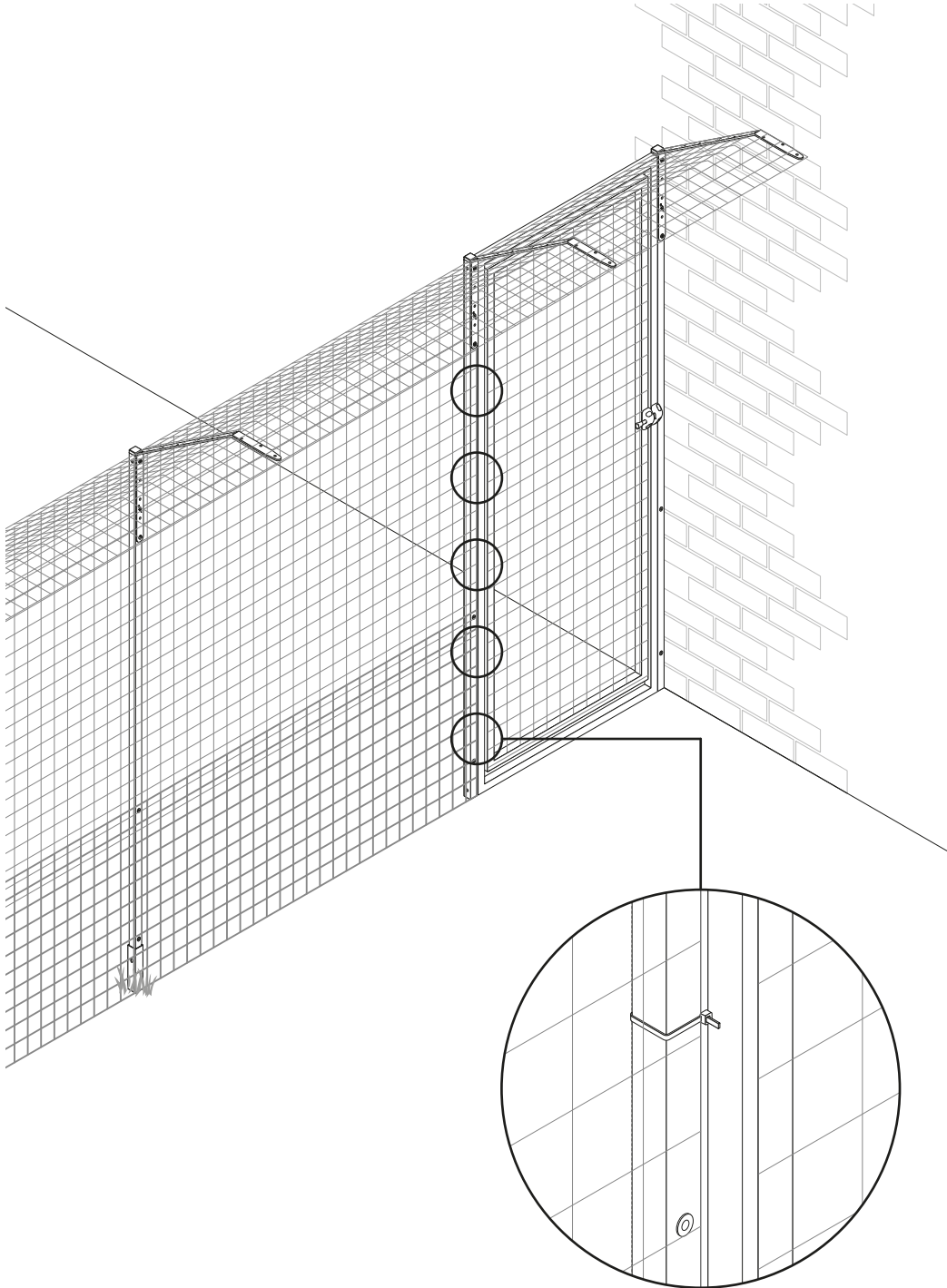


14.

Trim any excess mesh away

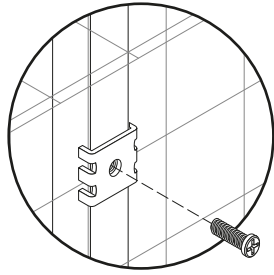
15.

Cable tie the mesh to the post



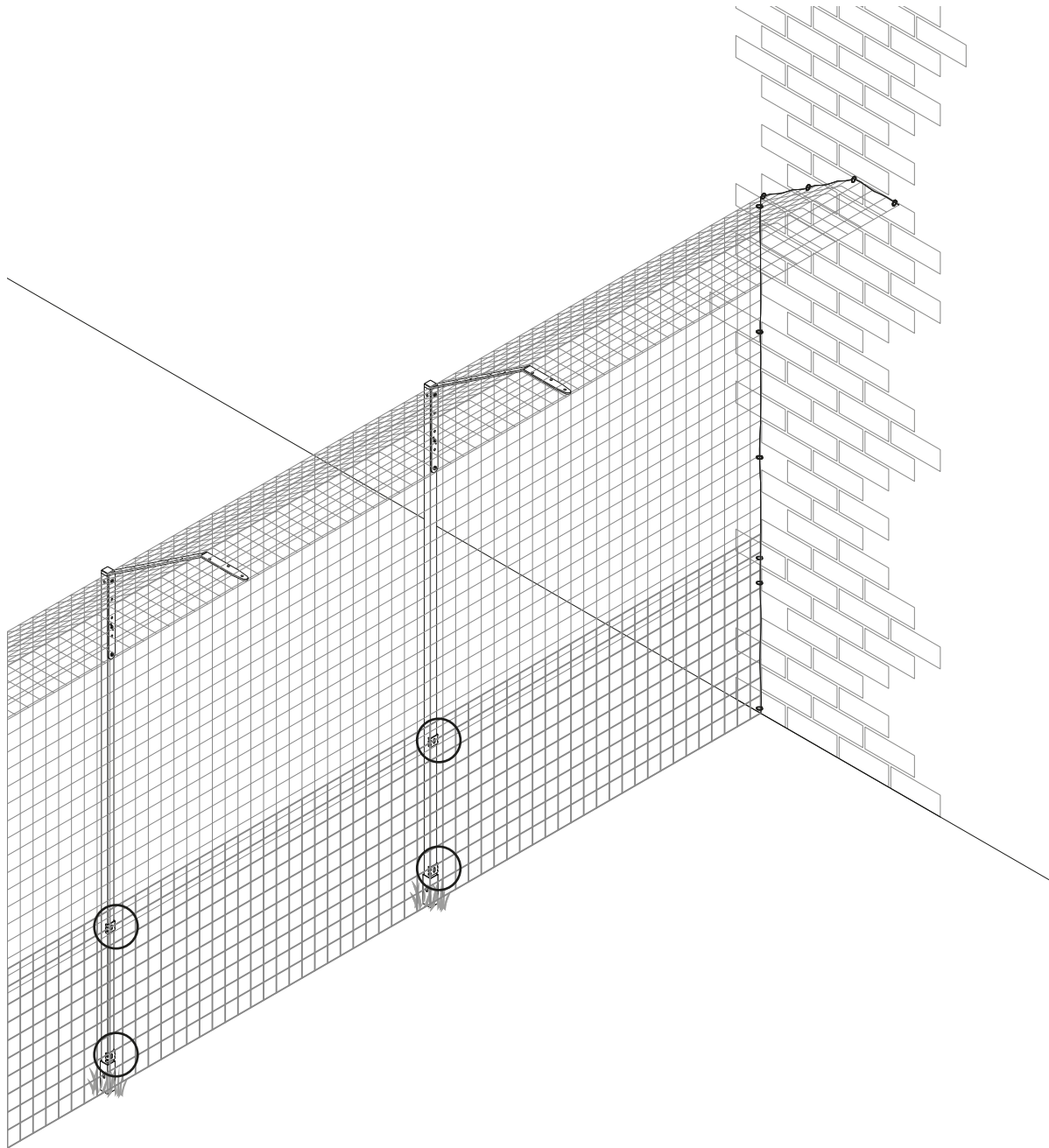
16.

In the remaining post threaded holes, attach the mesh using mesh clips



2 mesh clips required per post

M6 screws



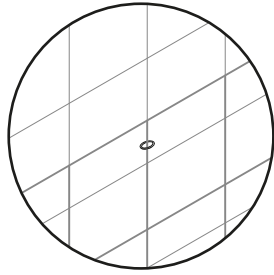
17.

Trim any excess mesh away



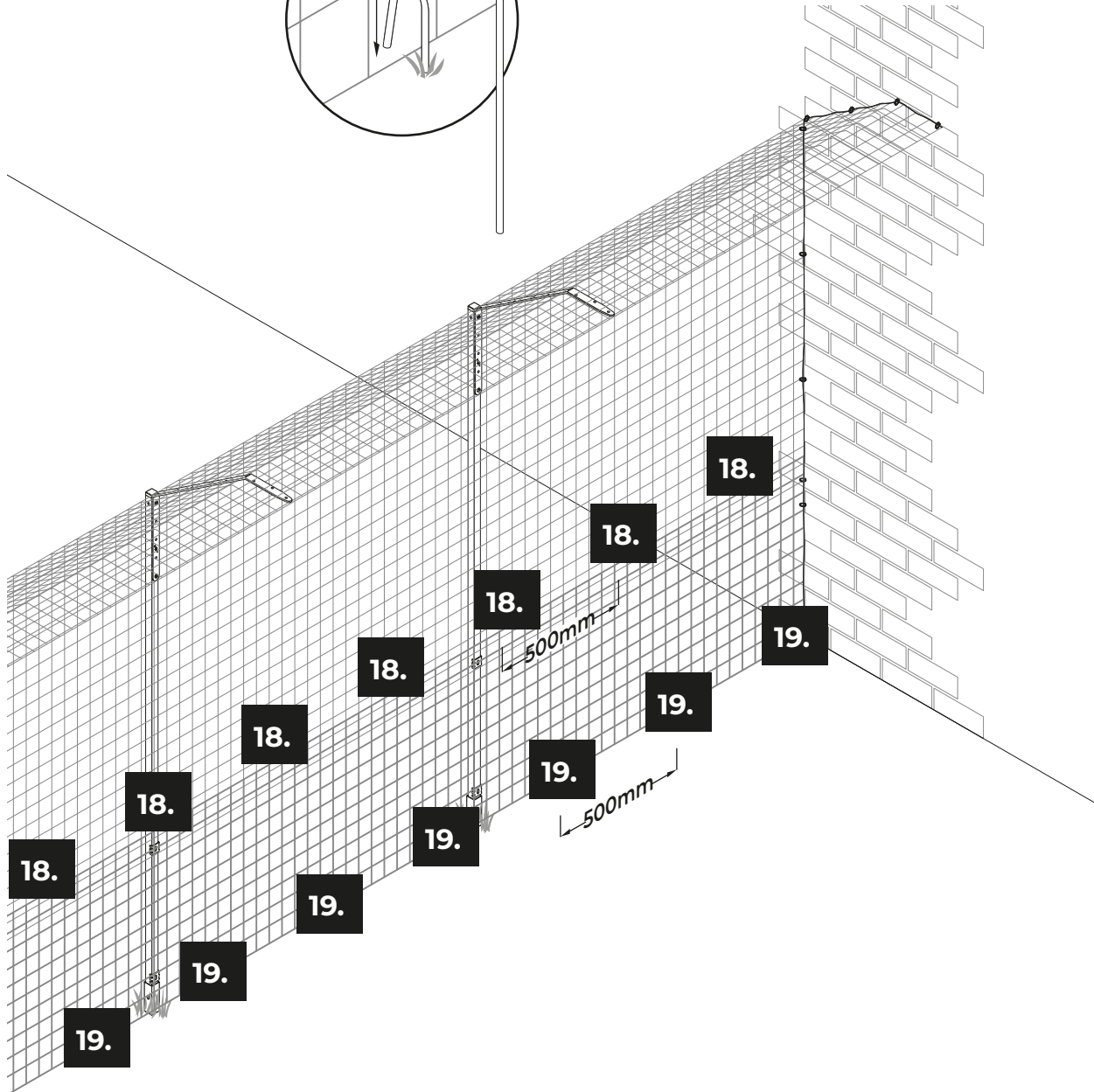
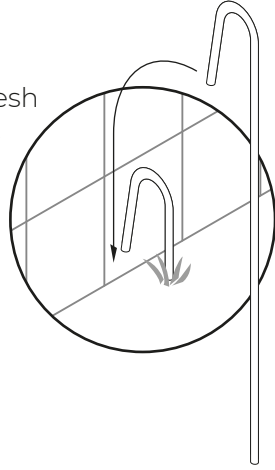
18.

Use cable ties or hog rings to secure mesh to the plastic mesh at 500mm apart



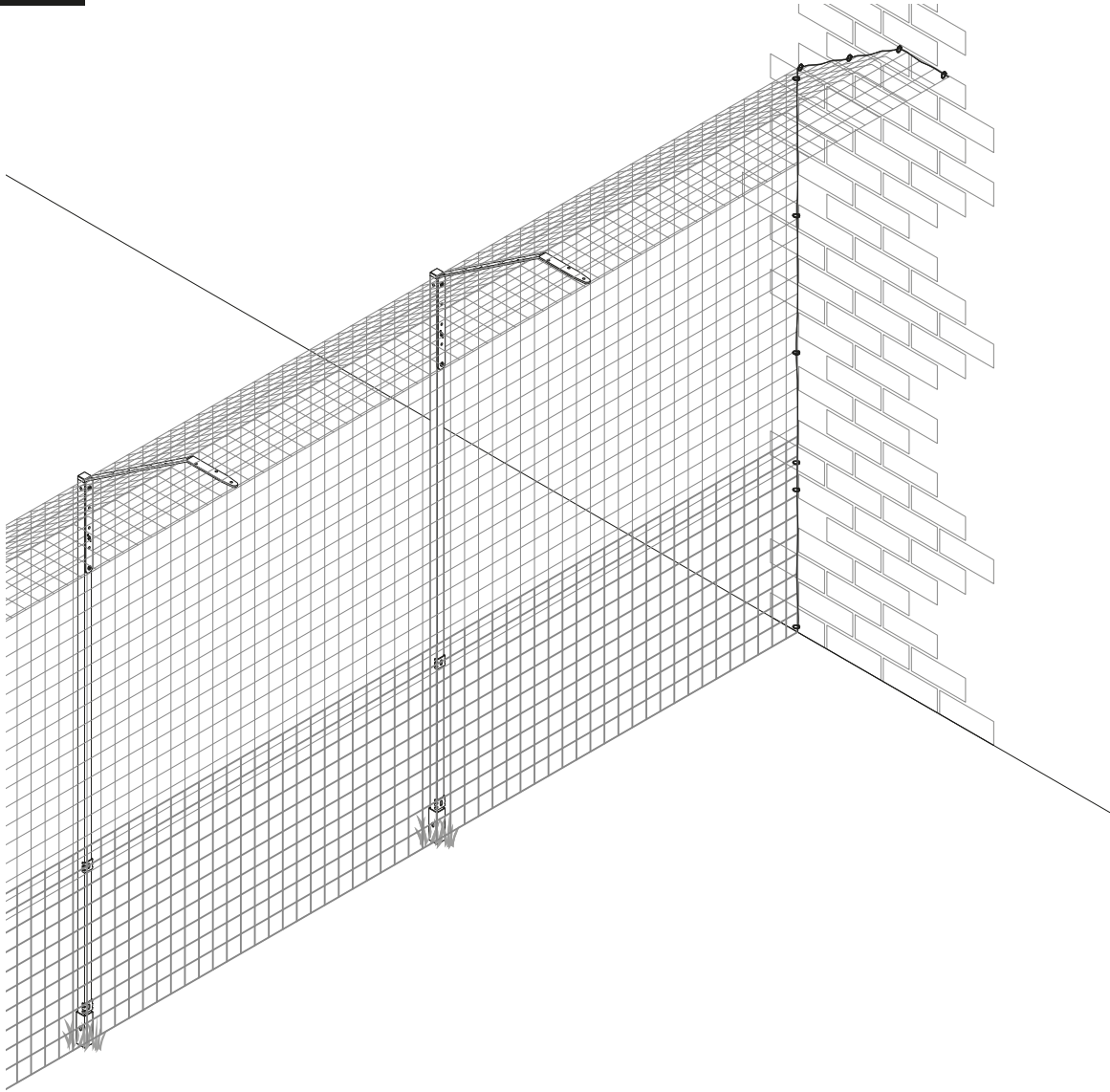
19.

Peg the steel mesh to the ground at 500mm apart



20.

Finally check there are **no gaps anywhere** and **nothing leaning against the fence** that could allow the cat to climb



*ProtectaPet cannot give a 100% guarantee of success if fitted as a DIY kit.
We can offer support if you experience difficulties or need advice.*





See the Enclosure System video on the protectapet YouTube channel

www.protectapet.com T: **0800 999 4008**

info@protectapet.com

