



THE UNIQUE FENCING SYSTEM



Cat Containment Balcony Enclosure DIY Installation Instructions

Video demonstrations available on
the ProtectaPet YouTube channel



www.protectapet.com
0800 999 4008
info@protectapet.com



DIY Cat Containment Instructions

Balcony Enclosure

SAFETY:

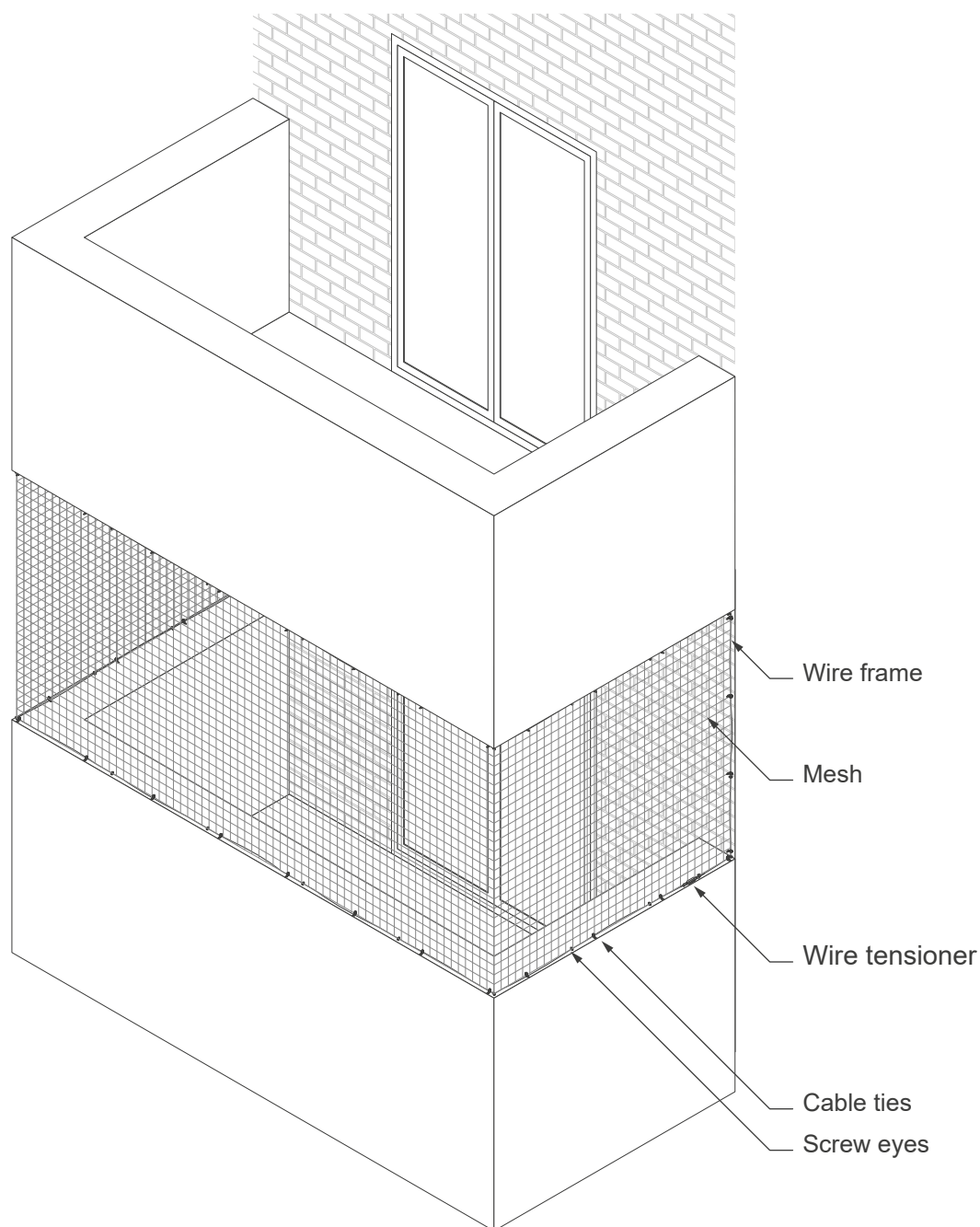
EYE PROTECTION SHOULD BE WORN AT ALL TIMES

Kit Contents

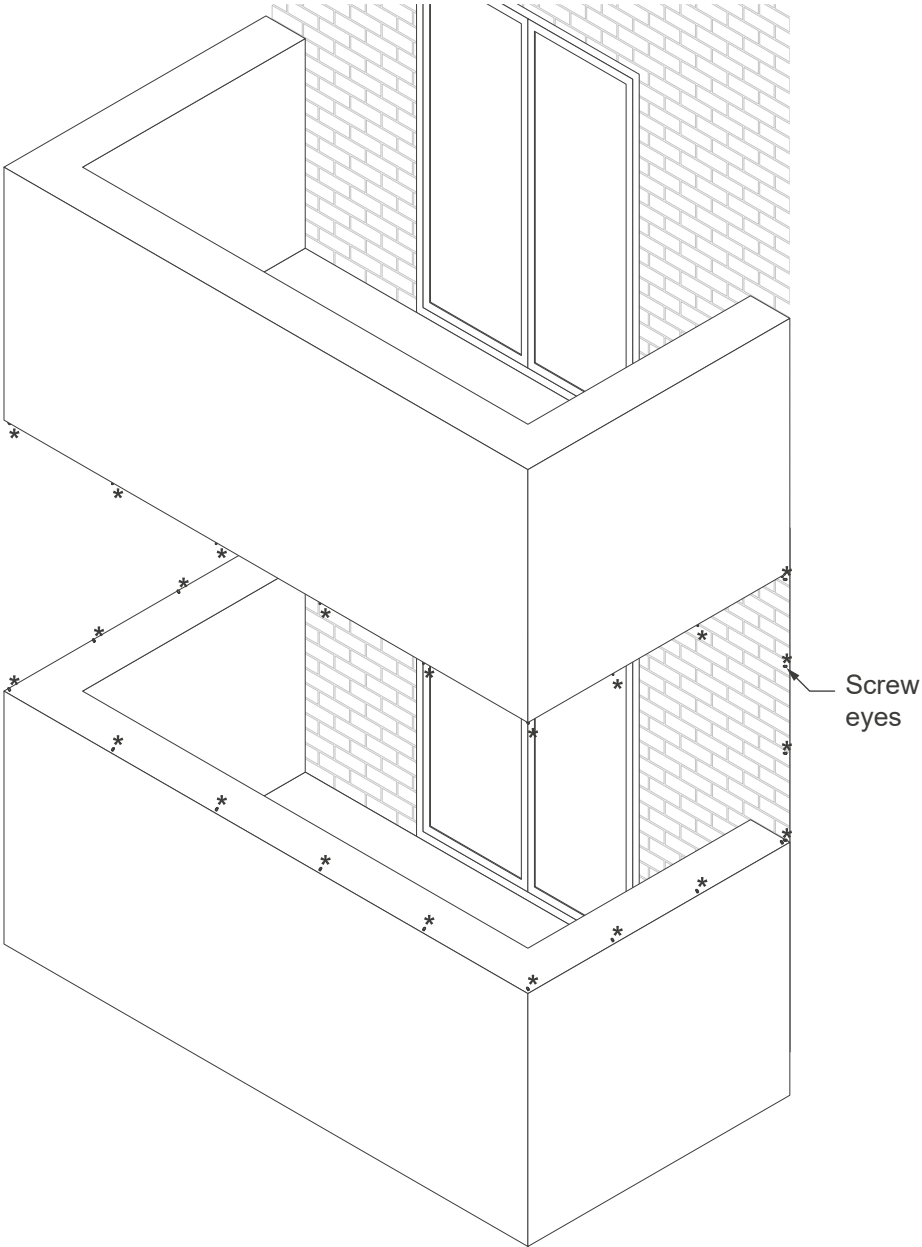
- 20 metres of 2m wide mesh
- 100 cable ties
- 25 metres of galvanised wire
- 30 heavy duty screw eyes
- 30 8mm brown rawl plugs
- 2 barrel adjuster wire tensioners

Tools Required

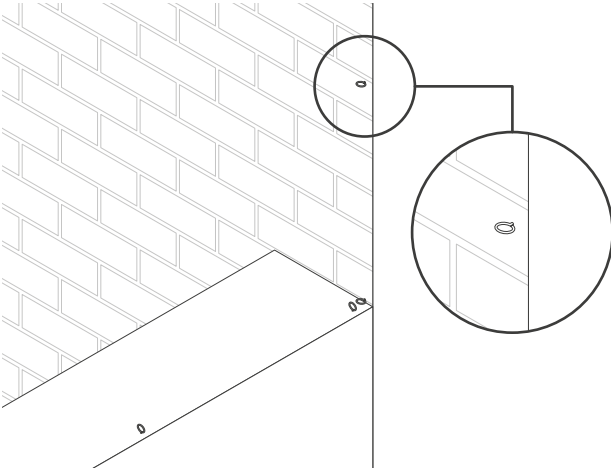
- Wire cutters
- Scissors
- Screwdriver
- Masonry drill



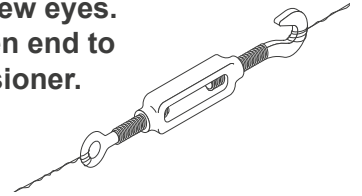
- 1** Plan out enclosure.
Mark out all screw eye positions all around the balcony*



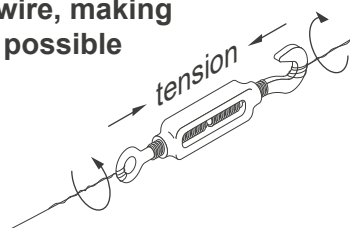
- 2** Fix screw eyes to the wall/floor/ceiling with rawl plugs

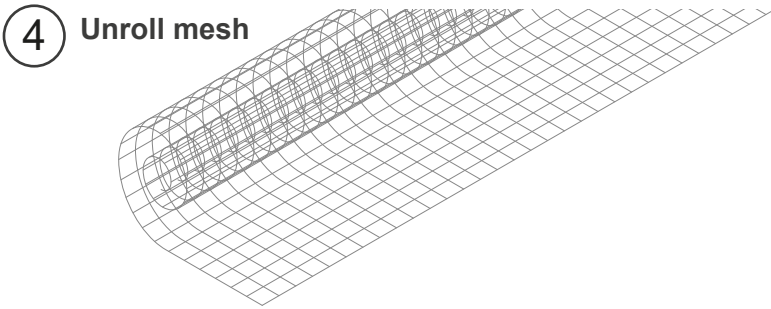


- 3a** Thread the wire through all of the screw eyes. Tie each open end to the wire tensioner.

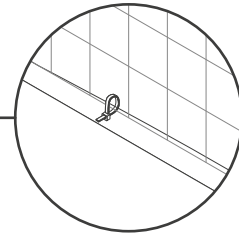
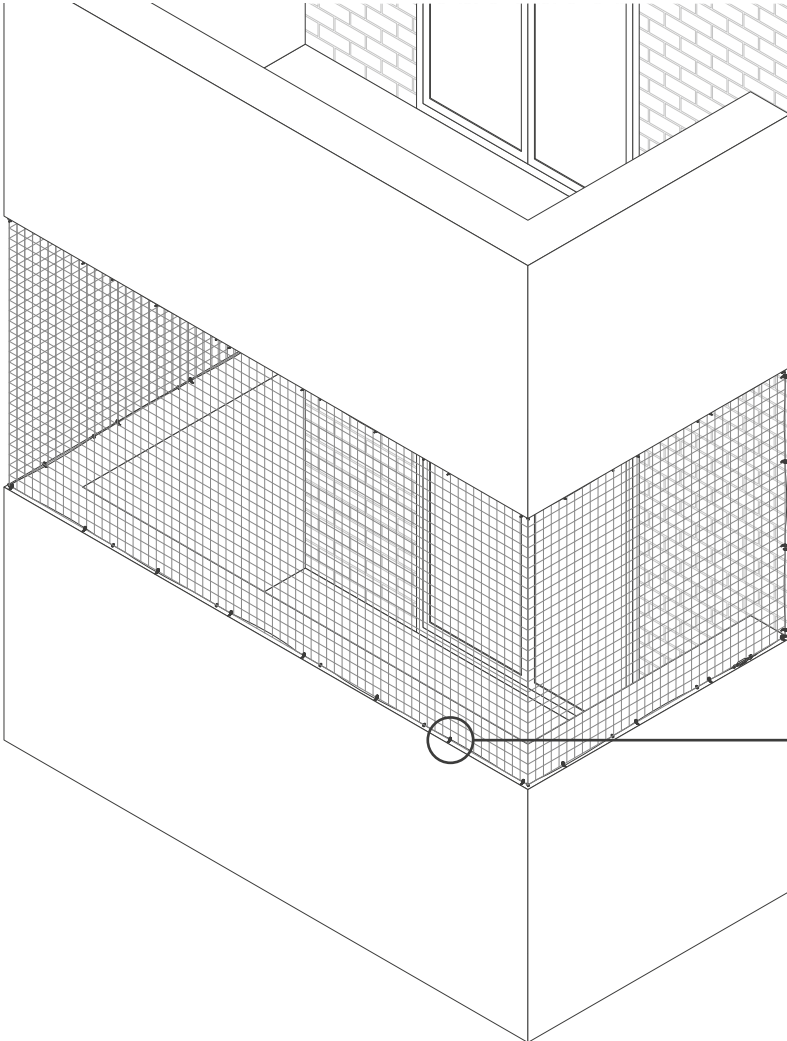


- 3b** Tension the wire, making it as tight as possible





⑤ Use a cable ties to hold the edges of the mesh to the wire frame all the way around the balcony



trim excess cable tie
ensure cable ties are pulled TIGHT

⑥ Trim any excess mesh

⑦ **IMPORTANT**

Finally check there are no gaps anywhere

ProtectaPuss systems cannot give a 100% guarantee of success if fitted as a DIY kit.
We can offer support if you experience difficulties or need advice.