



THE UNIQUE FENCING SYSTEM



Dog Containment Fencetop Barrier System DIY Installation Instructions

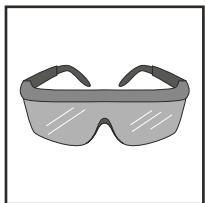
www.protectapet.com
0800 999 4008
info@protectapet.com



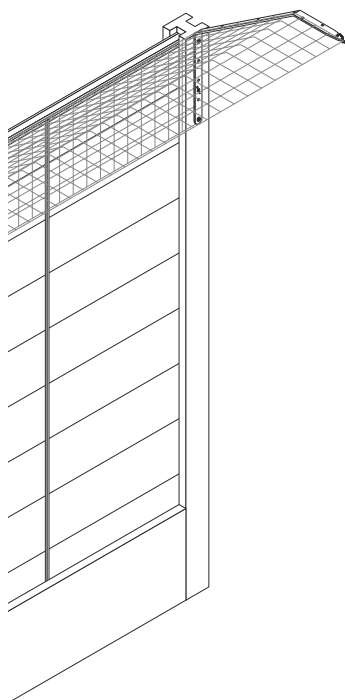
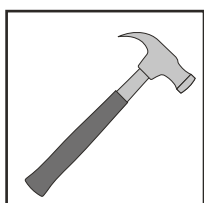
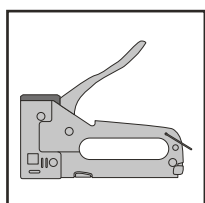
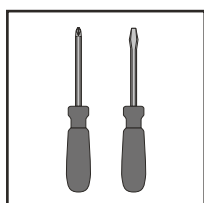
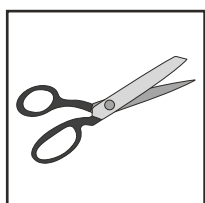
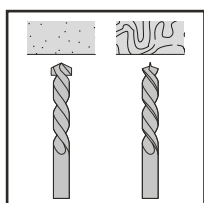
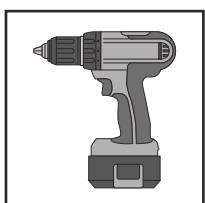
DIY Dog Containment Instructions

Fencetop Barrier

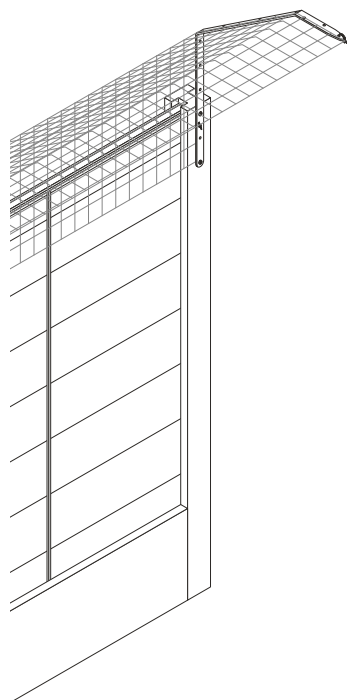
SAFETY:
EYE AND EAR PROTECTION SHOULD BE WORN AT ALL TIMES



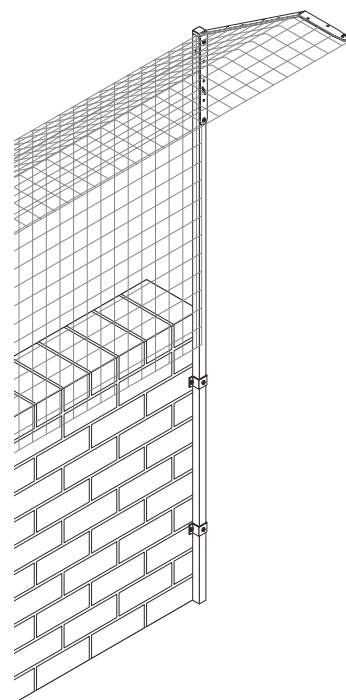
Tools Required:



Standard bracket for
6ft+ boundaries

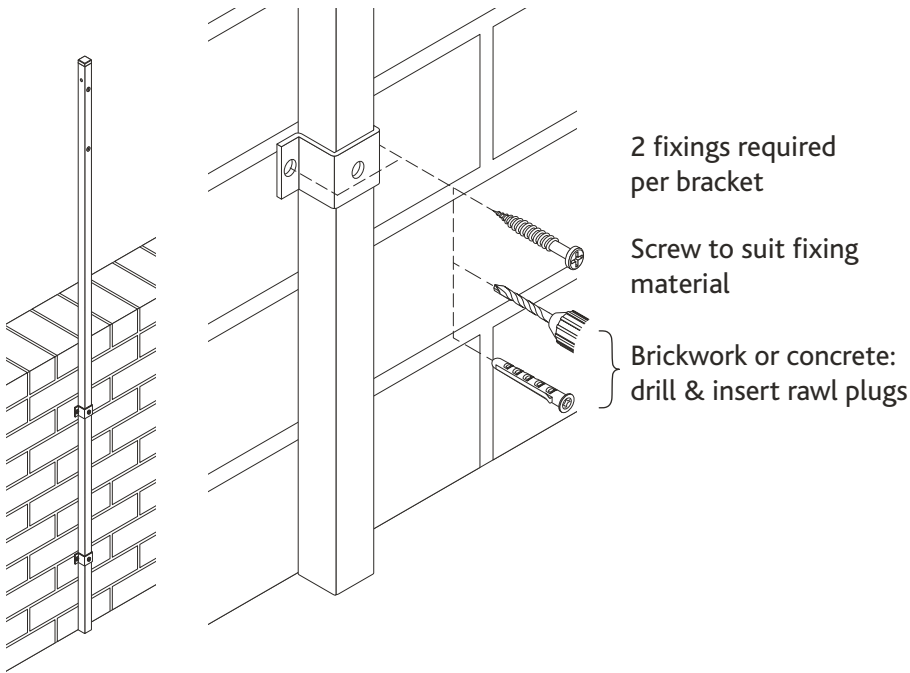


Extra long bracket for
5-6ft boundaries

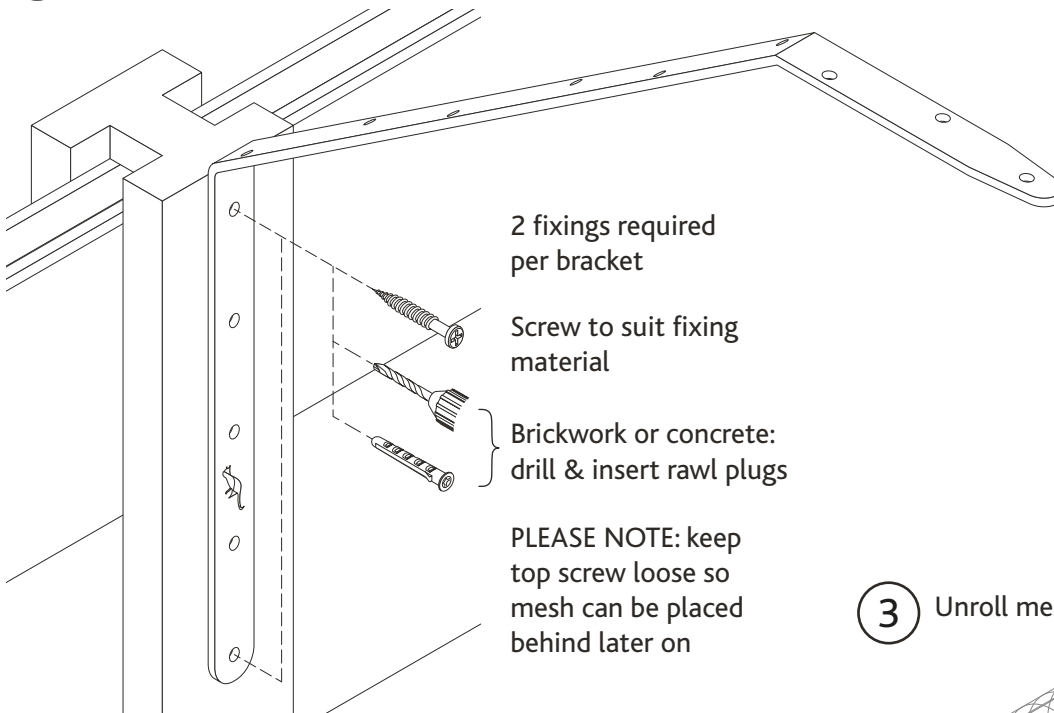


Bracket and post for
3-5ft boundaries

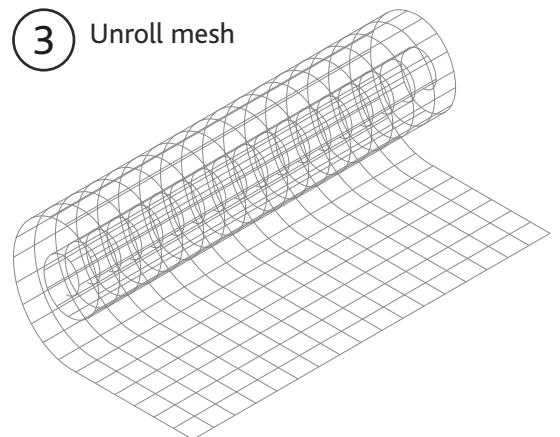
- 1 For 3-5ft barriers only:
Fit extension post to a structural wall using 2 brackets per post



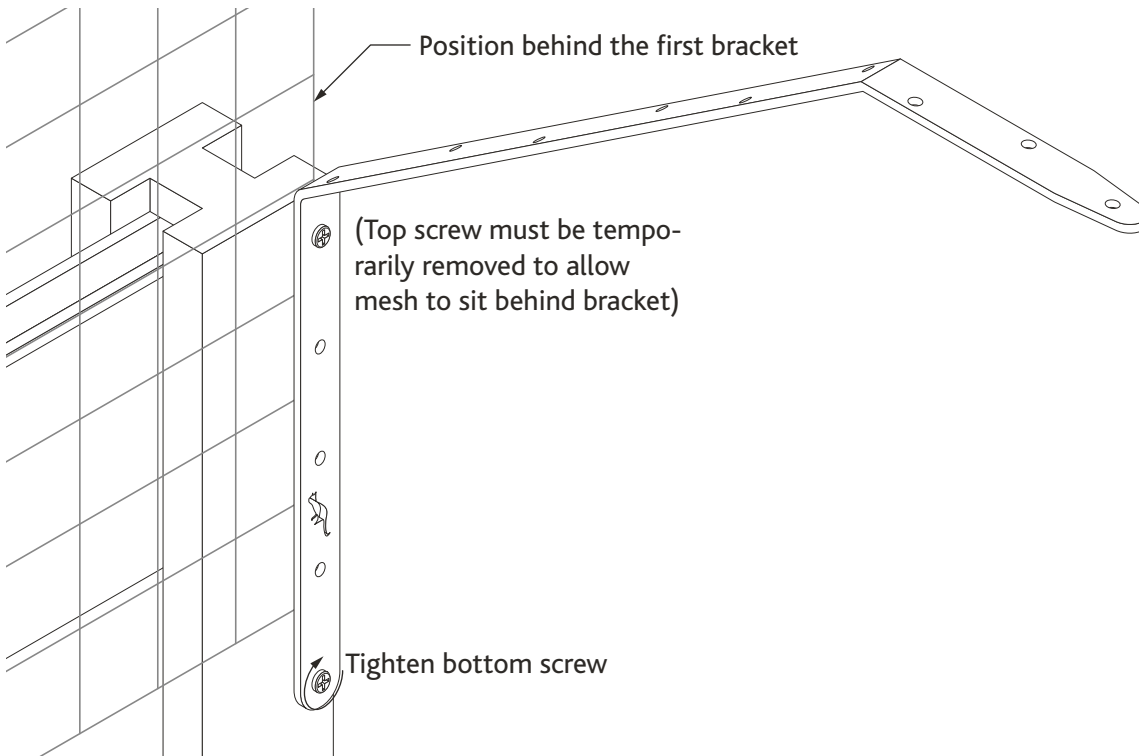
- 2 Attach all brackets to the top of your barrier or post



- 3 Unroll mesh

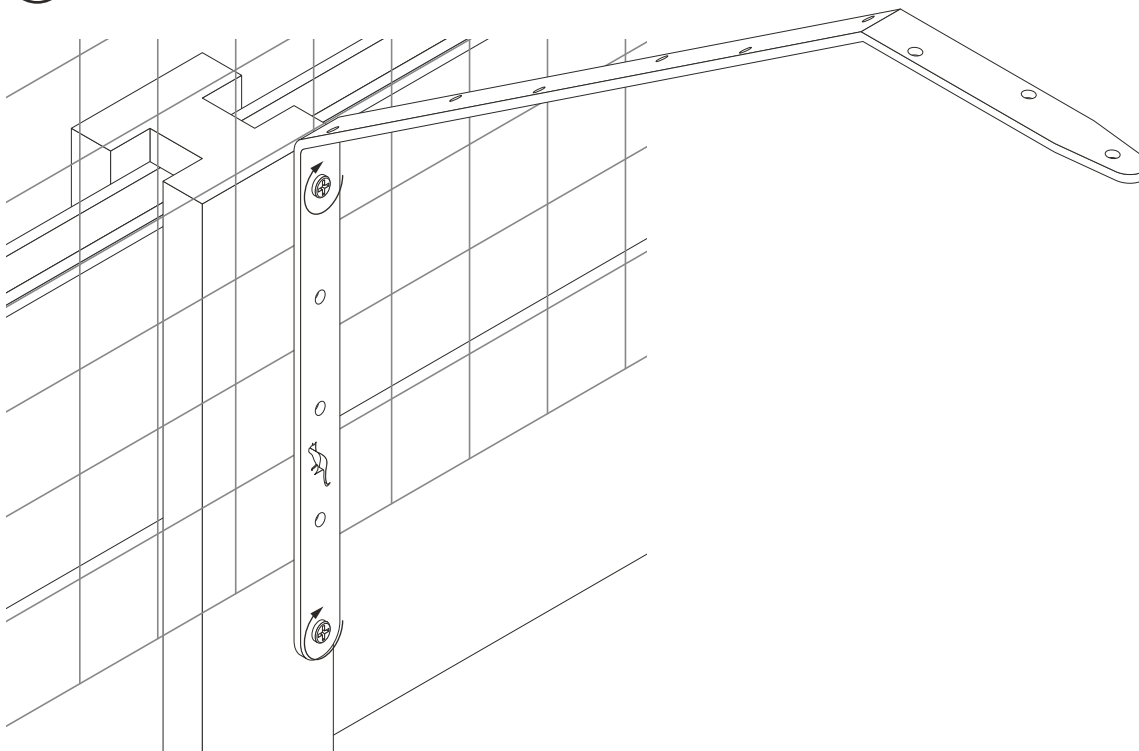


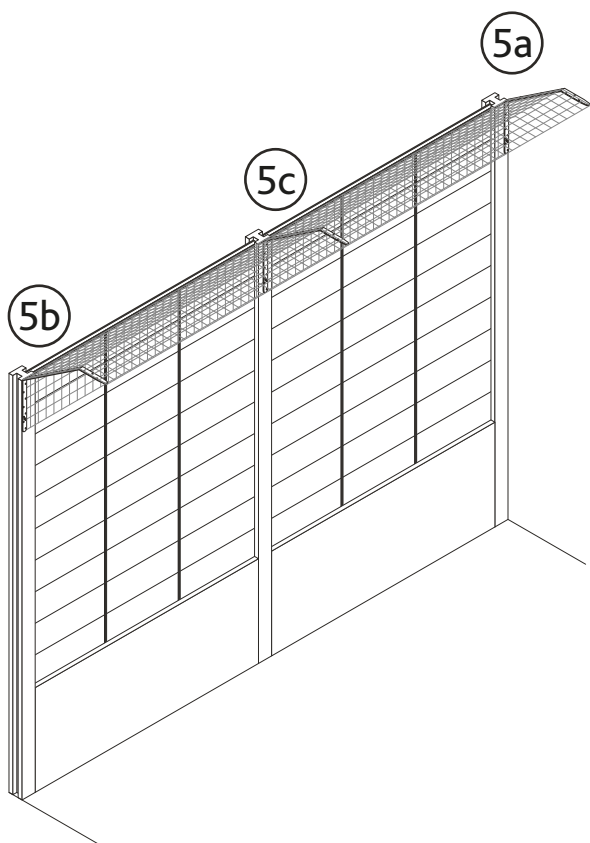
- 4a Remove the top screw in the bracket and slide mesh behind the bracket until it is as close to the bottom screw as it will go



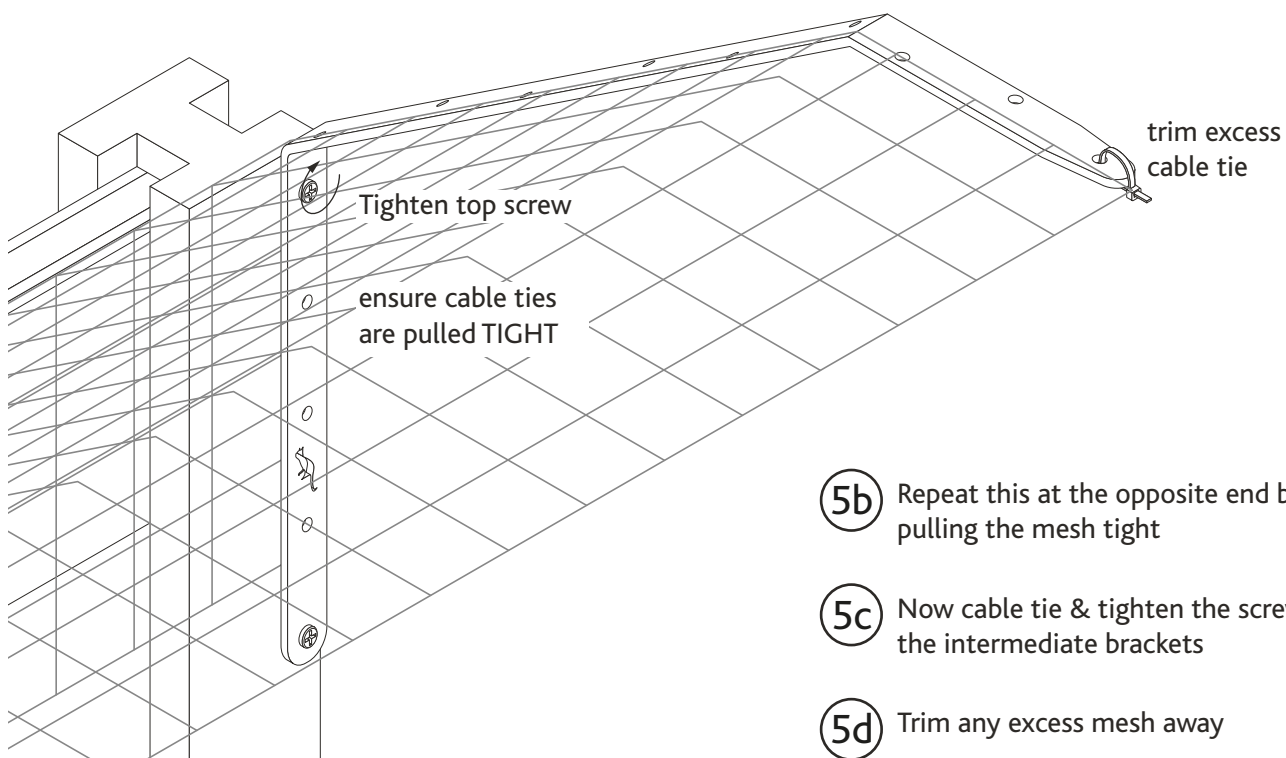
- 4b Repeat this all around the garden including the corner brackets

- 4c Tighten all screws





5a Use a cable tie to hold the end of the mesh to the first bracket

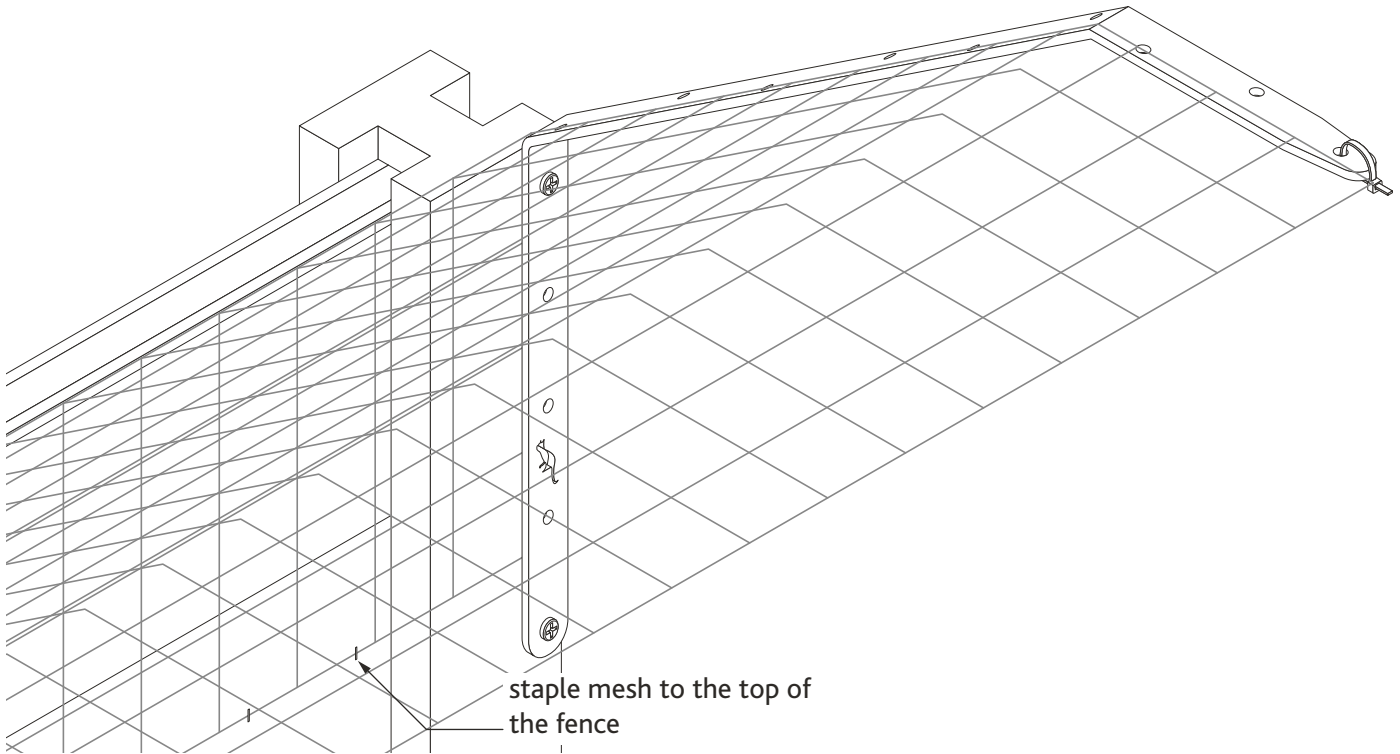


5b Repeat this at the opposite end bracket, pulling the mesh tight

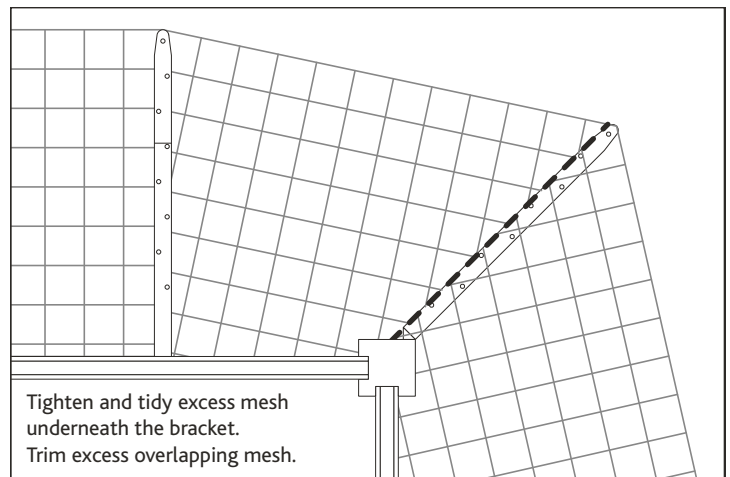
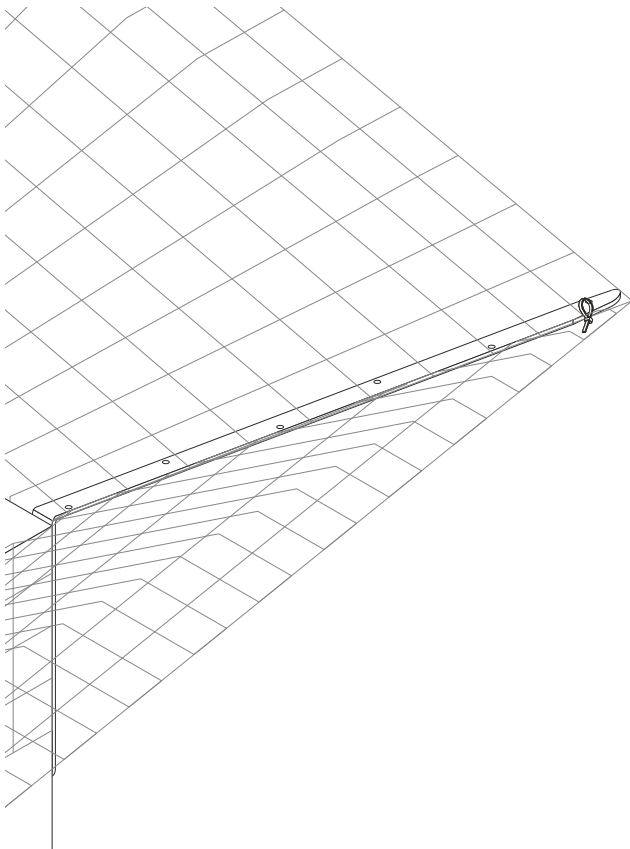
5c Now cable tie & tighten the screws on the intermediate brackets

5d Trim any excess mesh away

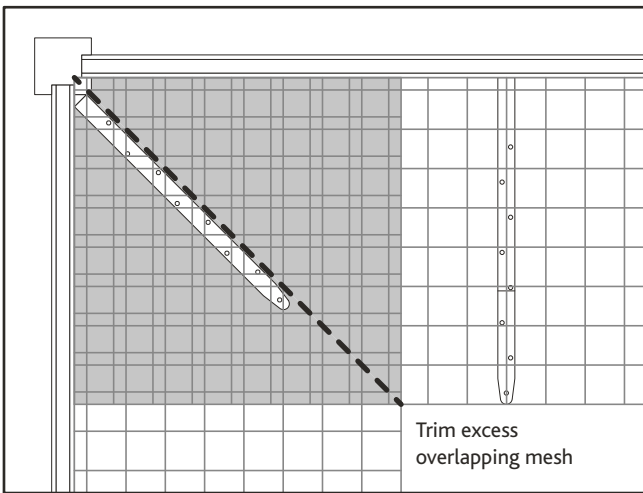
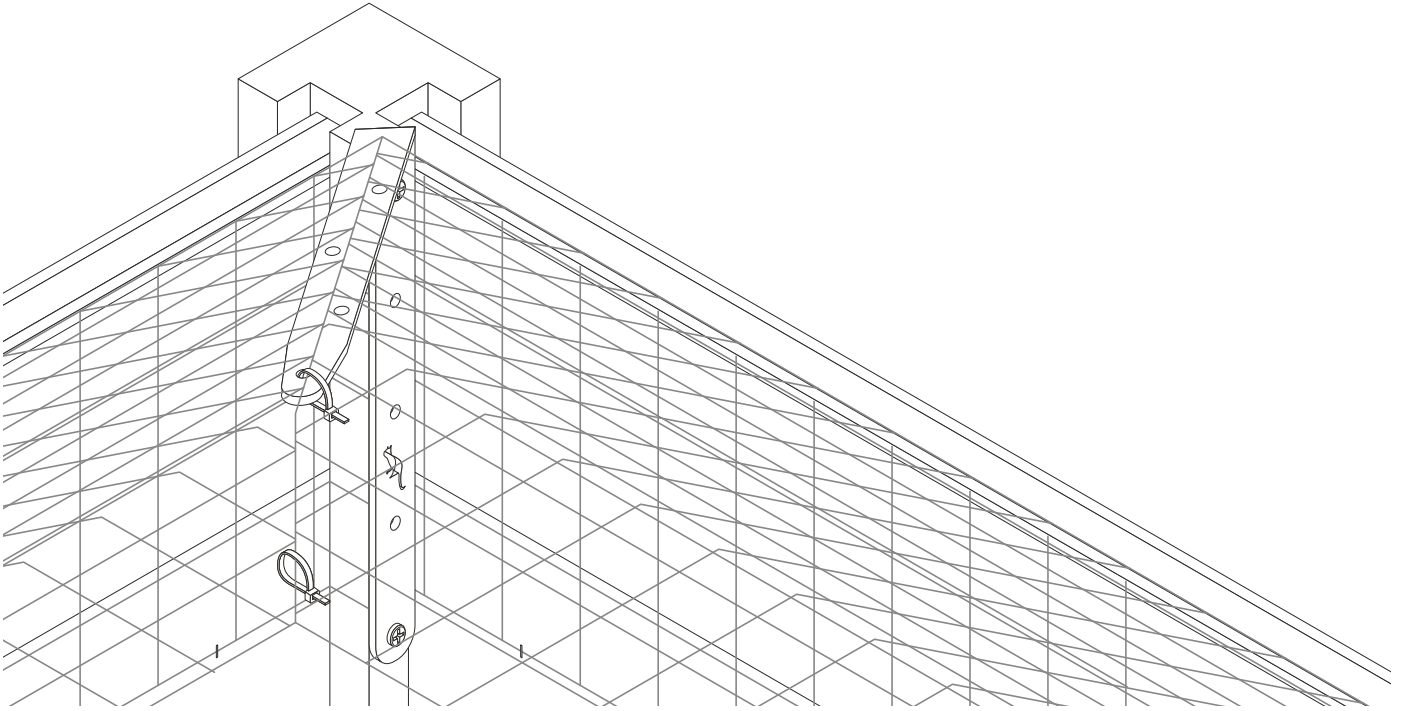
- 6 To ensure your dog can't escape between the mesh and fence, staple the mesh to the fence all the way round



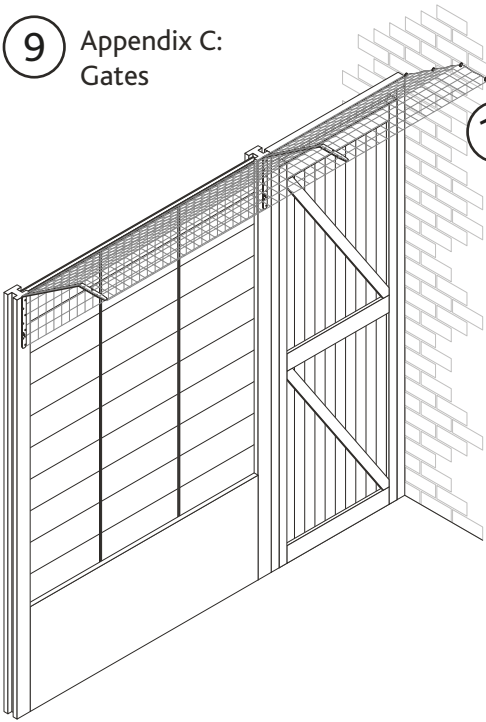
- 7 Appendix A - External Corners:
Use 'twist' brackets



8 Appendix B - Internal Corners:
Use 'twist' brackets



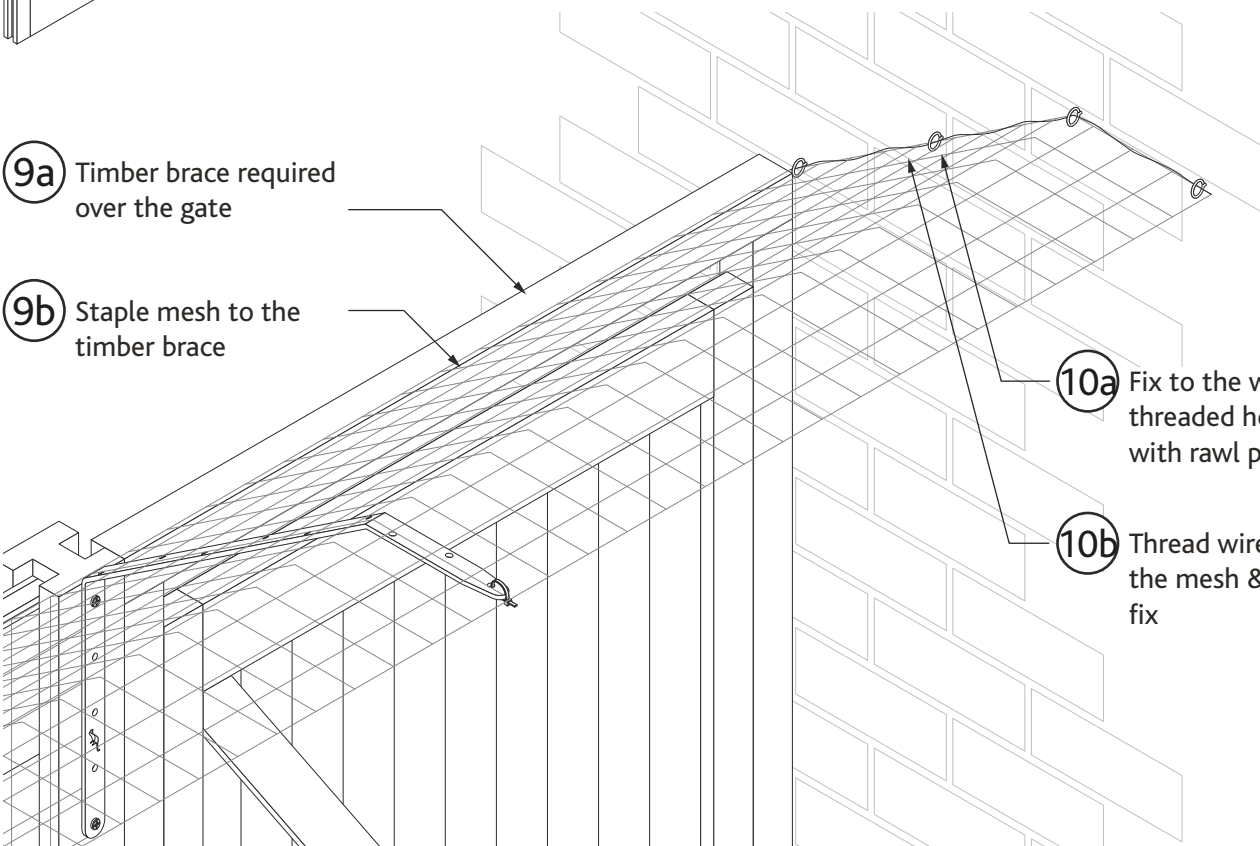
9 Appendix C:
Gates



10 Appendix D:
Walls

9a Timber brace required
over the gate

9b Staple mesh to the
timber brace



10a Fix to the wall using
threaded hooks fixed
with rawl plugs

10b Thread wire through
the mesh & hooks to
fix

11 Finally check there are no gaps anywhere and nothing leaning against the fence that could allow the dog to climb

ProtectaPet cannot give a 100% guarantee of success if fitted as a DIY kit.
We can offer support if you experience difficulties or need advice.