



THE UNIQUE FENCING SYSTEM



## Cat Containment Fencetop Barrier System DIY Installation Instructions

Video demonstrations available on  
the ProtectaPet YouTube channel



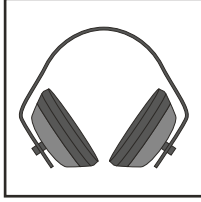
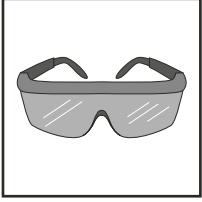
[www.protectapet.com](http://www.protectapet.com)  
0800 999 4008  
[info@protectapet.com](mailto:info@protectapet.com)



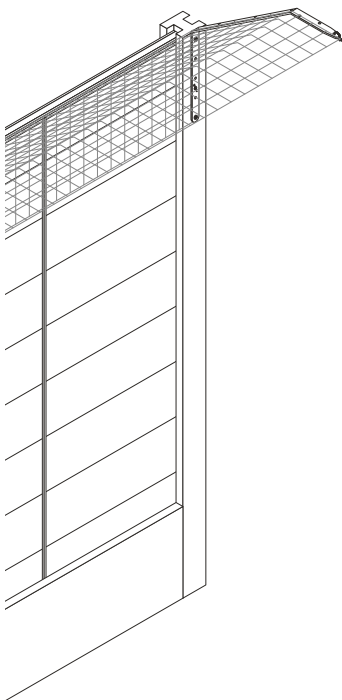
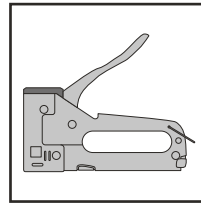
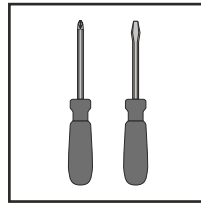
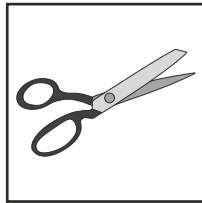
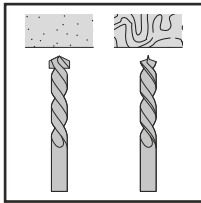
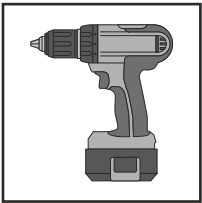
# DIY Cat Containment Instructions

## Fencetop Barrier

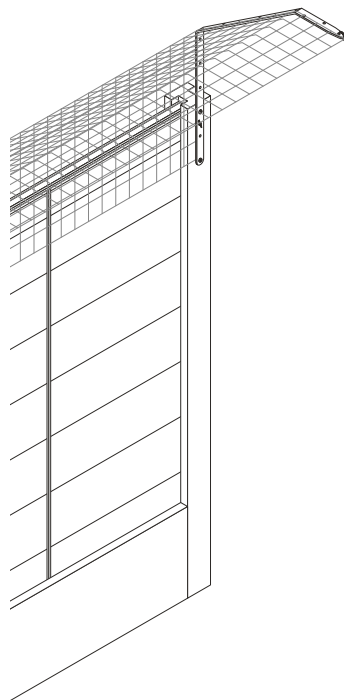
**SAFETY:**  
EYE AND EAR PROTECTION SHOULD BE WORN AT ALL TIMES



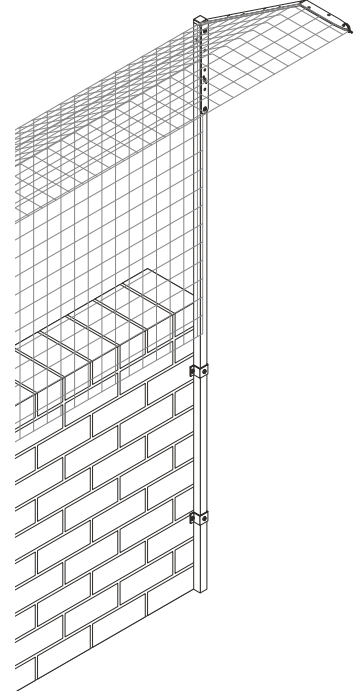
**Tools Required:**



Standard bracket for  
6ft+ boundaries

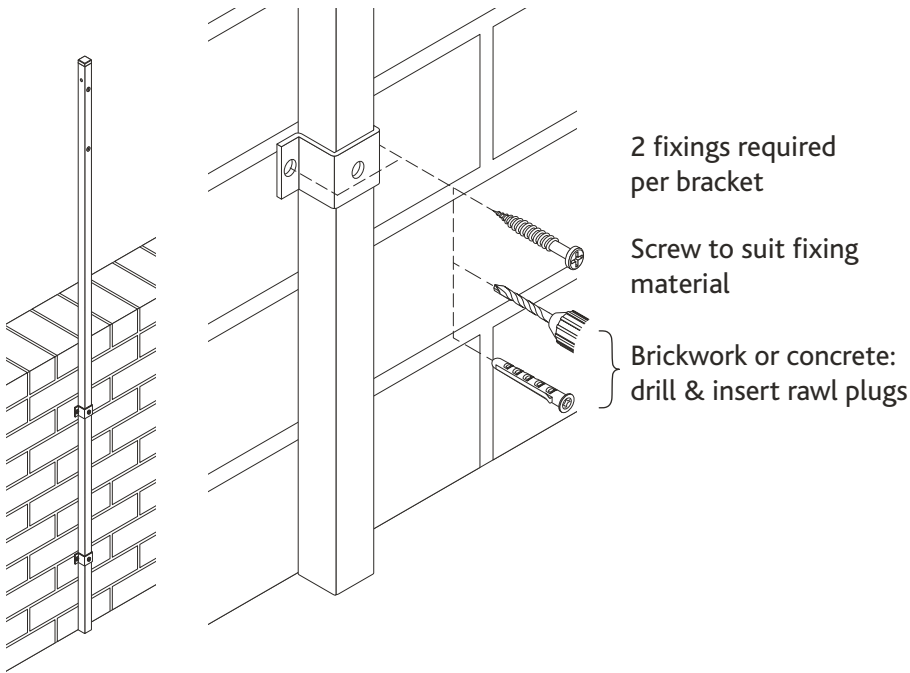


Extra long bracket for  
5-6ft boundaries

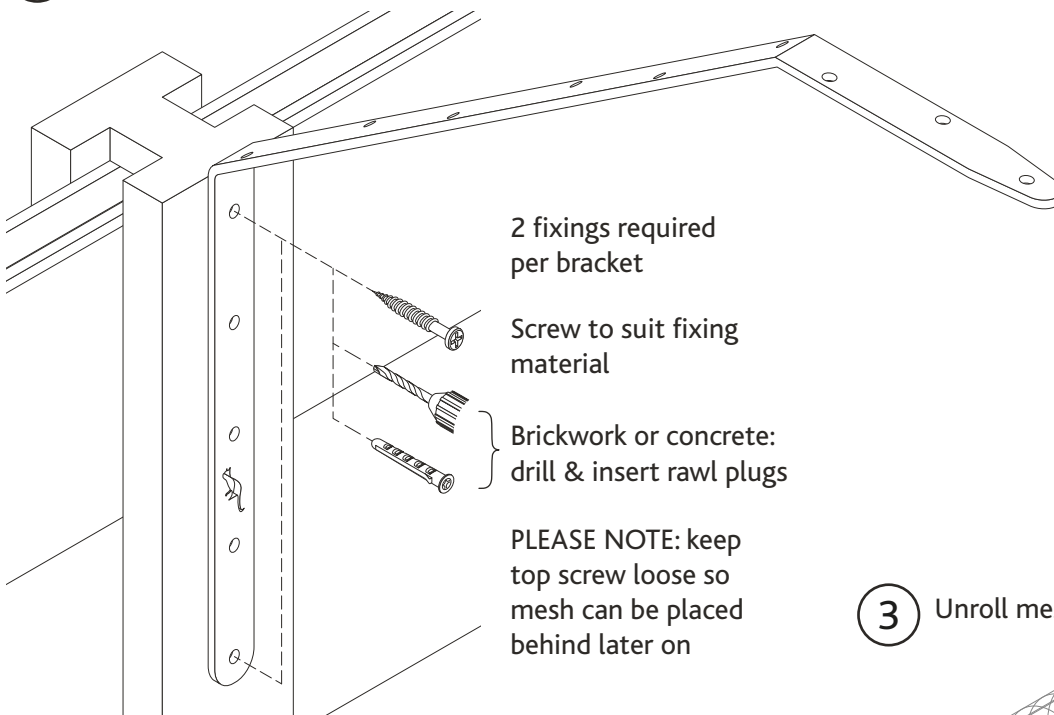


Bracket and post for  
3-5ft boundaries

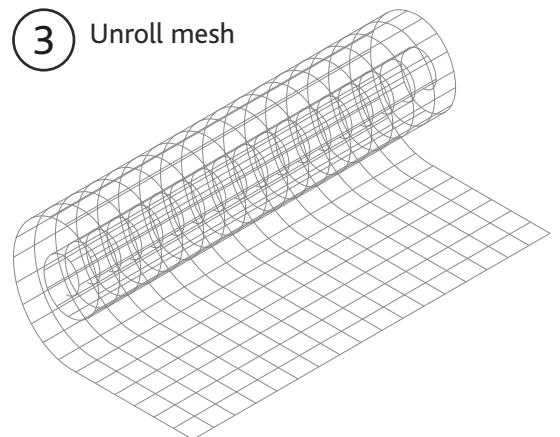
- 1 For 3-5ft barriers only:  
Fit extension post to a structural wall using 2 brackets per post



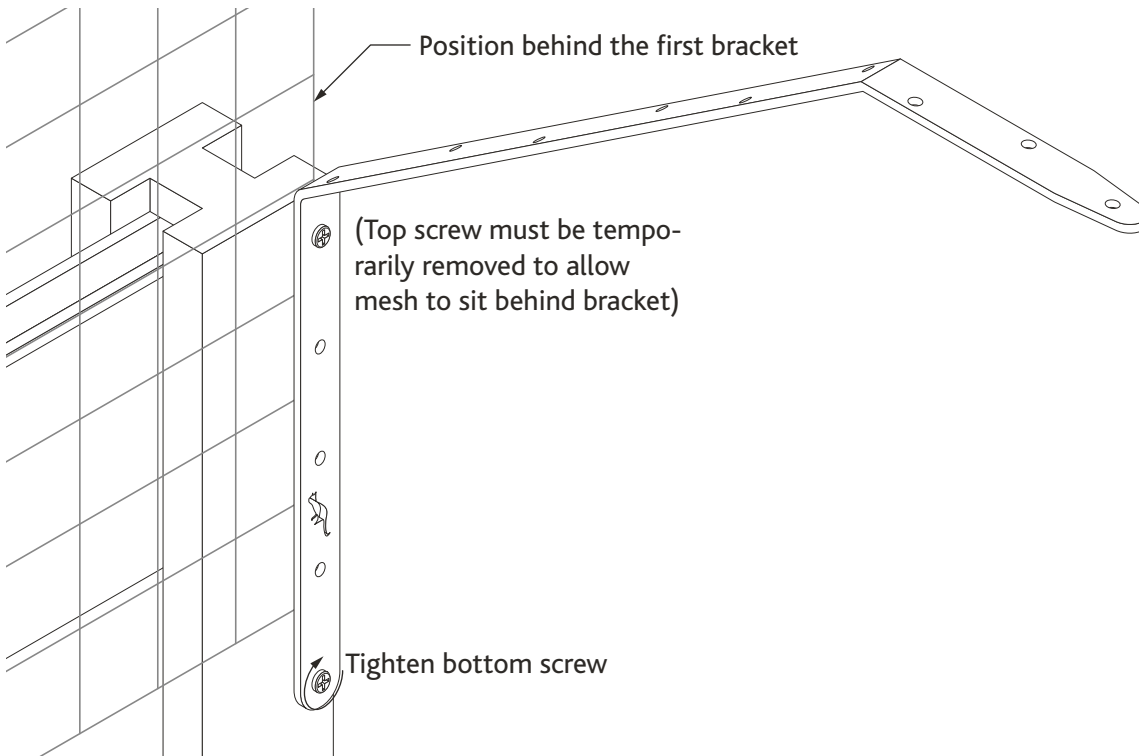
- 2 Attach all brackets to the top of your barrier or post



- 3 Unroll mesh

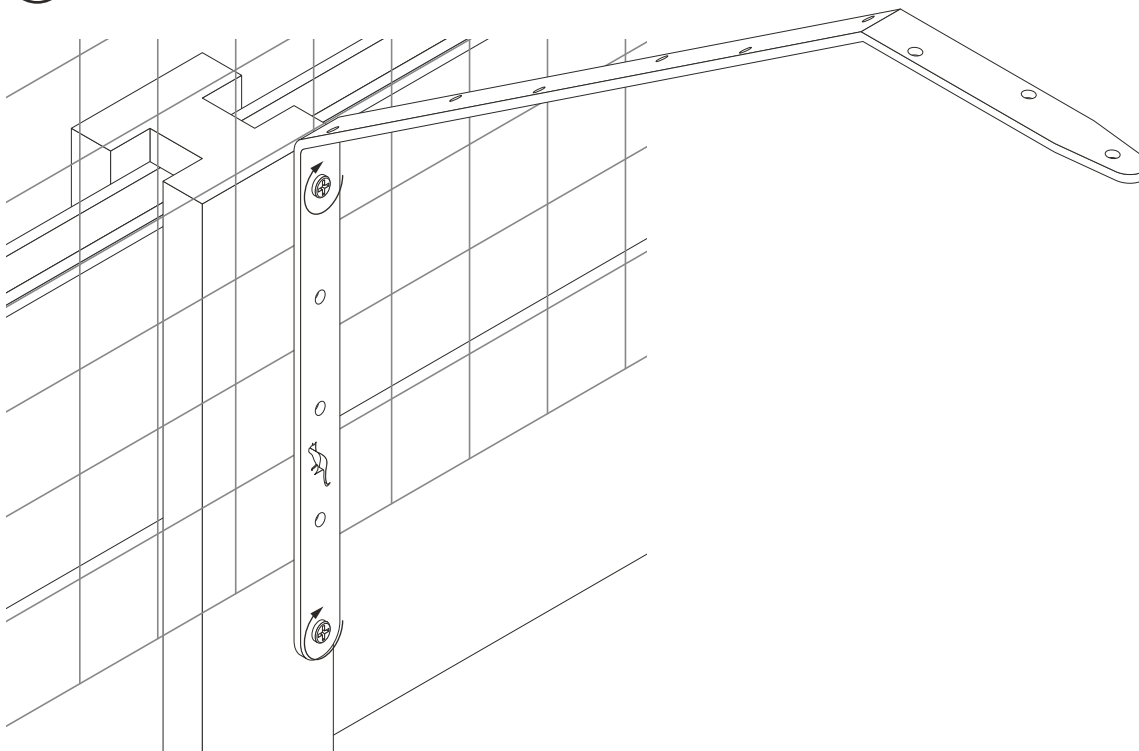


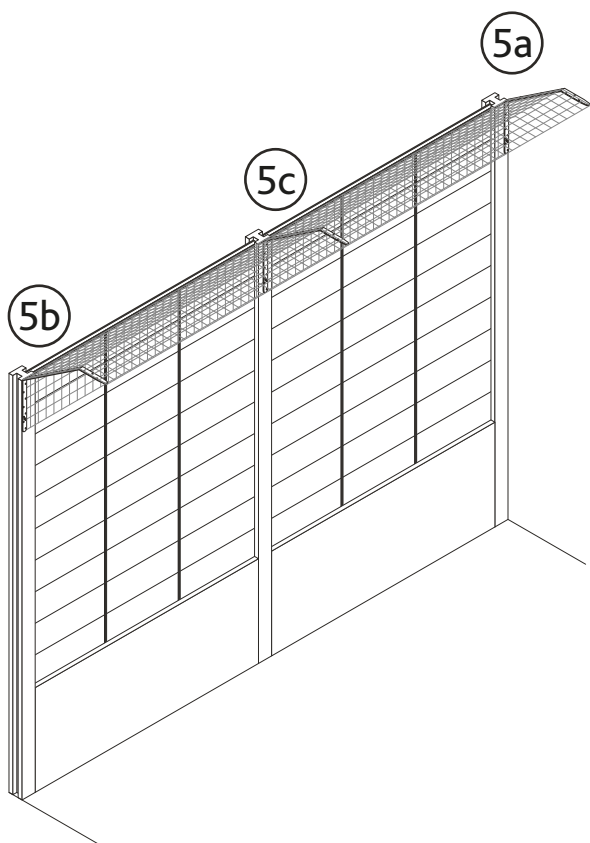
- 4a Remove the top screw in the bracket and slide mesh behind the bracket until it is as close to the bottom screw as it will go



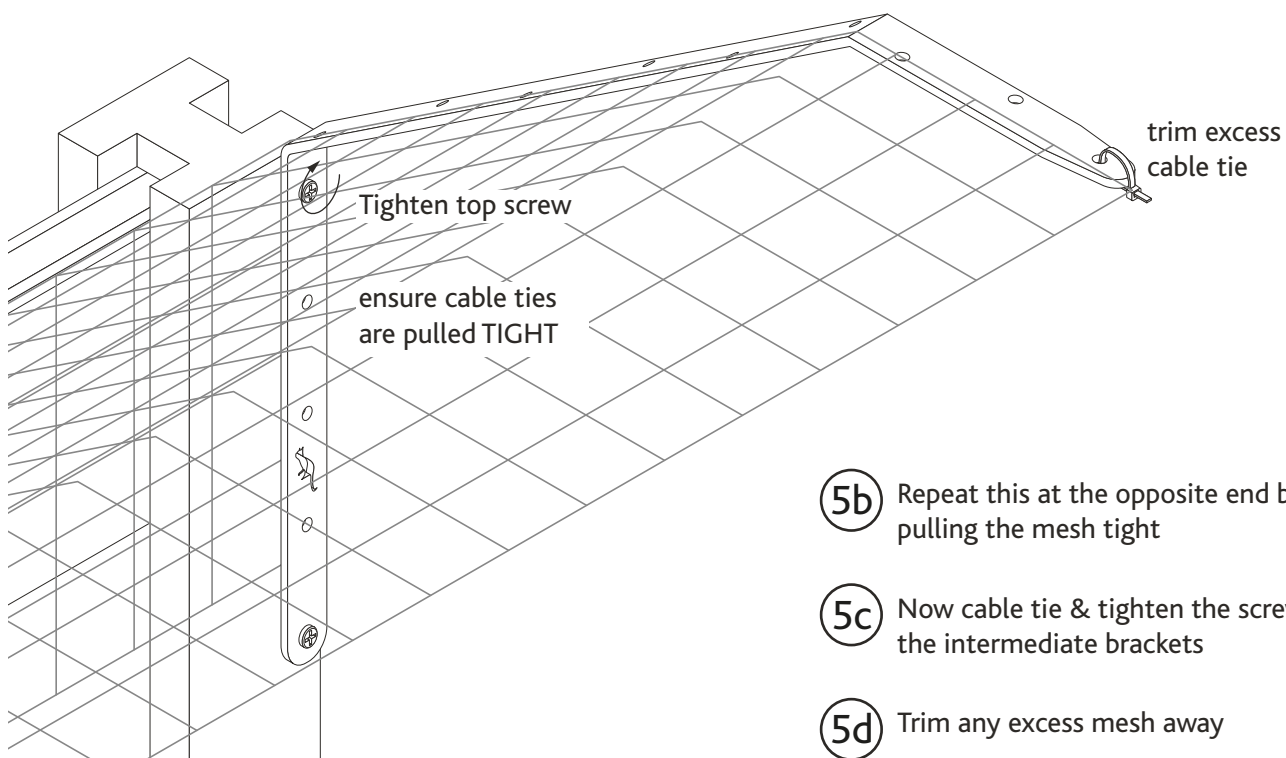
- 4b Repeat this all around the garden including the corner brackets

- 4c Tighten all screws





**5a** Use a cable tie to hold the end of the mesh to the first bracket

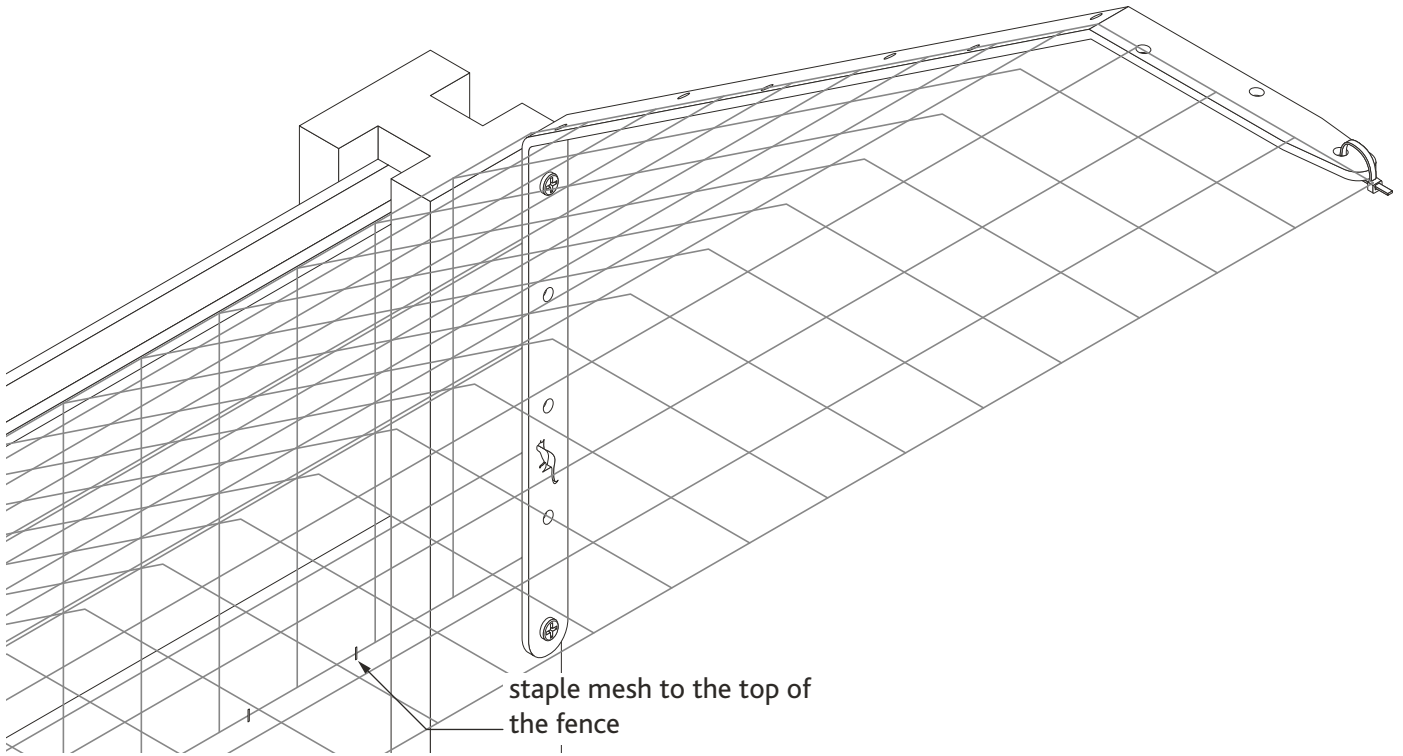


**5b** Repeat this at the opposite end bracket, pulling the mesh tight

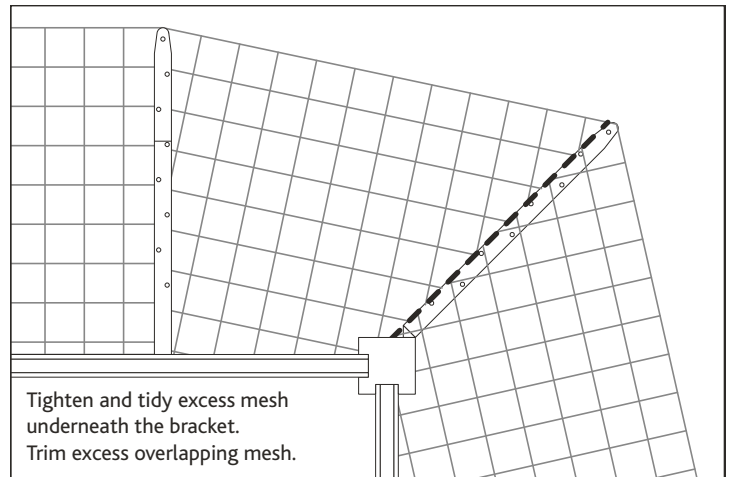
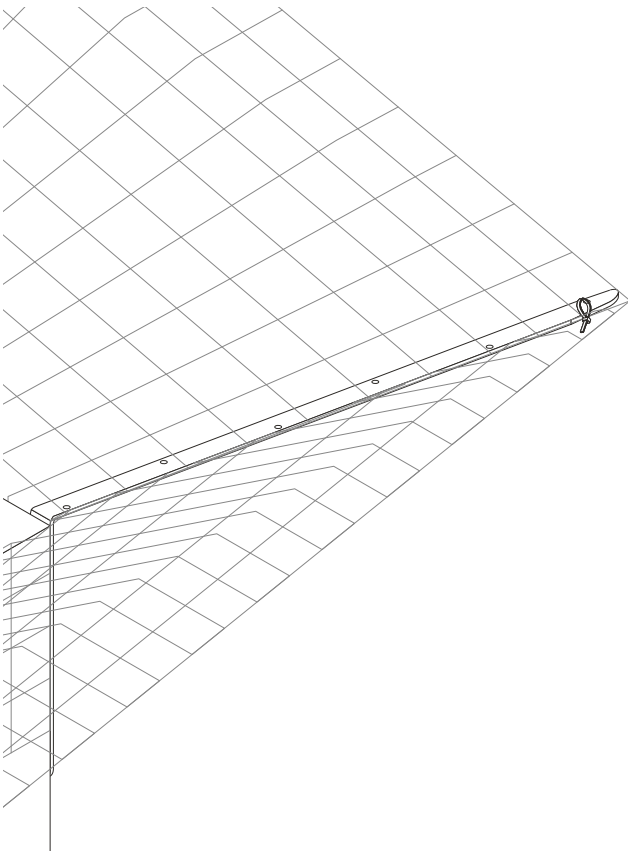
**5c** Now cable tie & tighten the screws on the intermediate brackets

**5d** Trim any excess mesh away

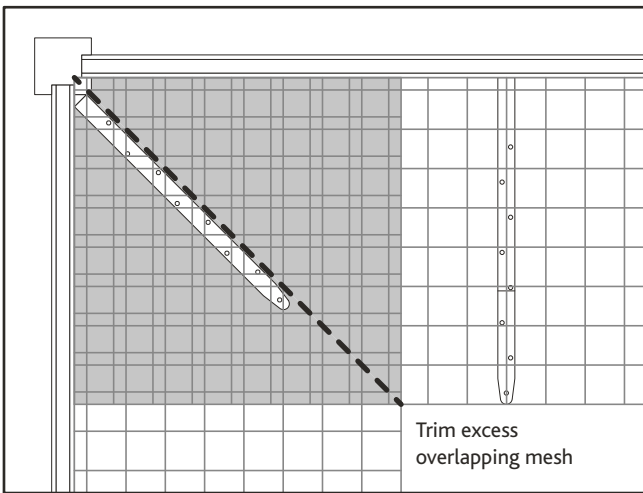
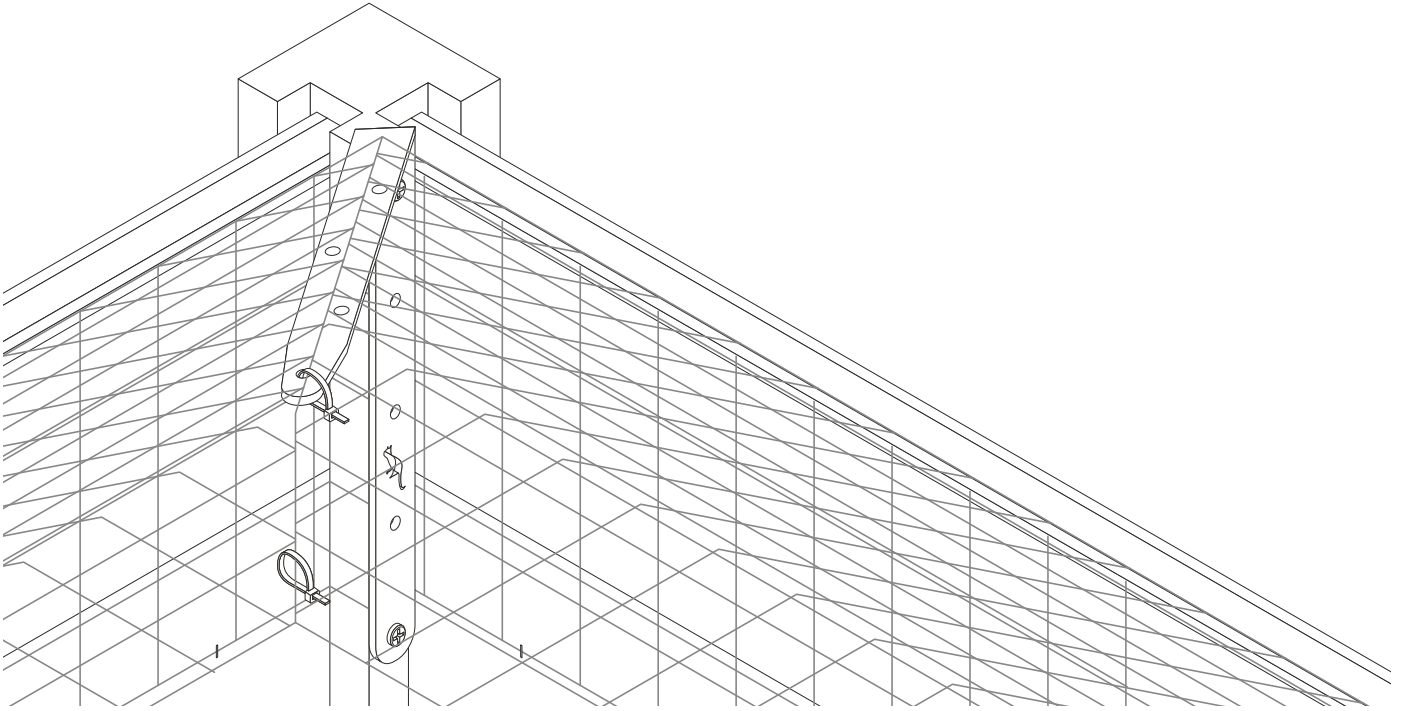
- 6 To ensure your cat can't escape between the mesh and fence, staple the mesh to the fence all the way round



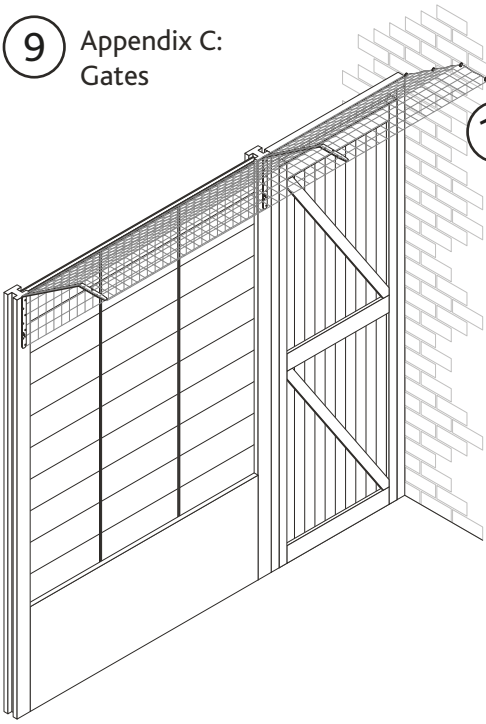
- 7 Appendix A - External Corners:  
Use 'twist' brackets



8 Appendix B - Internal Corners:  
Use 'twist' brackets



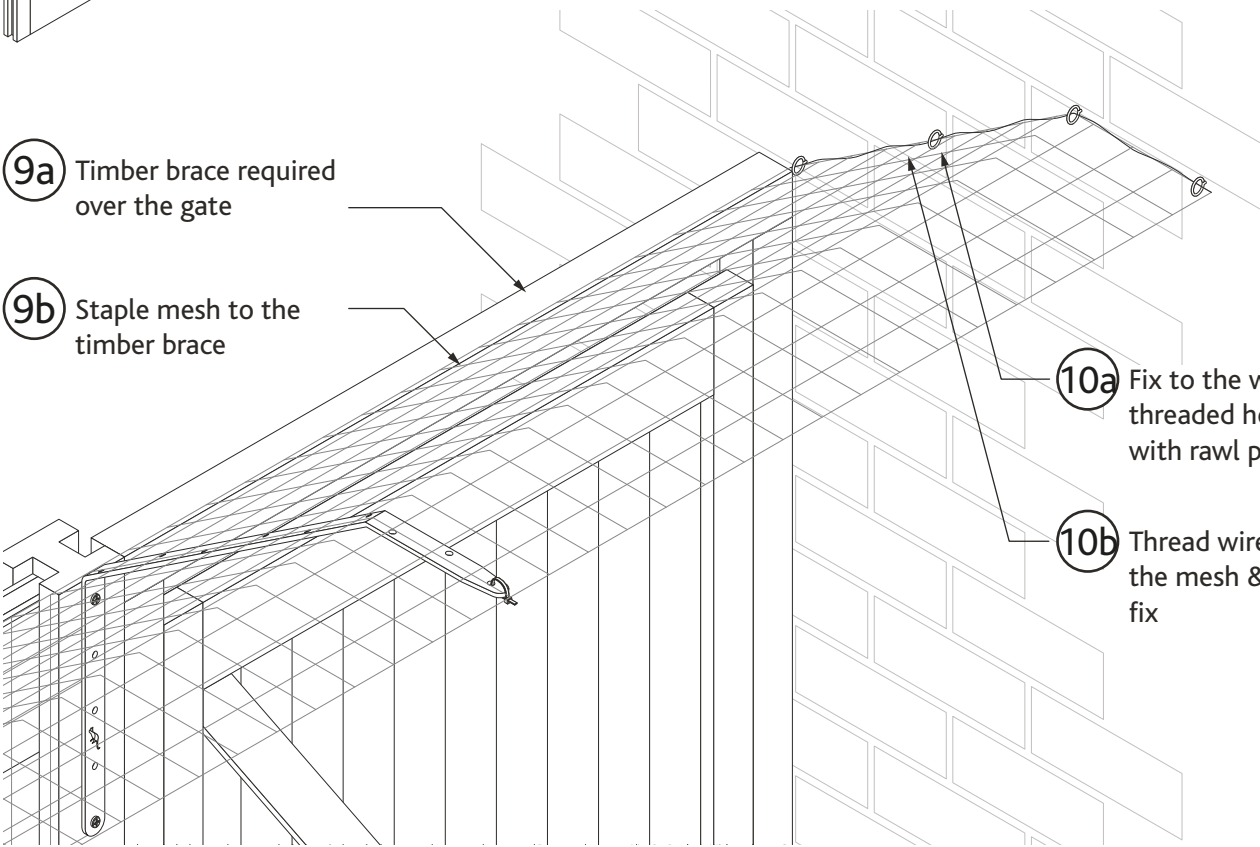
9 Appendix C:  
Gates



10 Appendix D:  
Walls

9a Timber brace required  
over the gate

9b Staple mesh to the  
timber brace



10a Fix to the wall using  
threaded hooks fixed  
with rawl plugs

10b Thread wire through  
the mesh & hooks to  
fix

11 Finally check there are no gaps anywhere and nothing leaning against the fence that could allow the cat to climb

ProtectaPet cannot give a 100% guarantee of success if fitted as a DIY kit.  
We can offer support if you experience difficulties or need advice.